



SPACE SAVING AND COMPACT VERTICAL TANK AND VALVE DESIGN

30 OR 40 GALLON CAPACITY

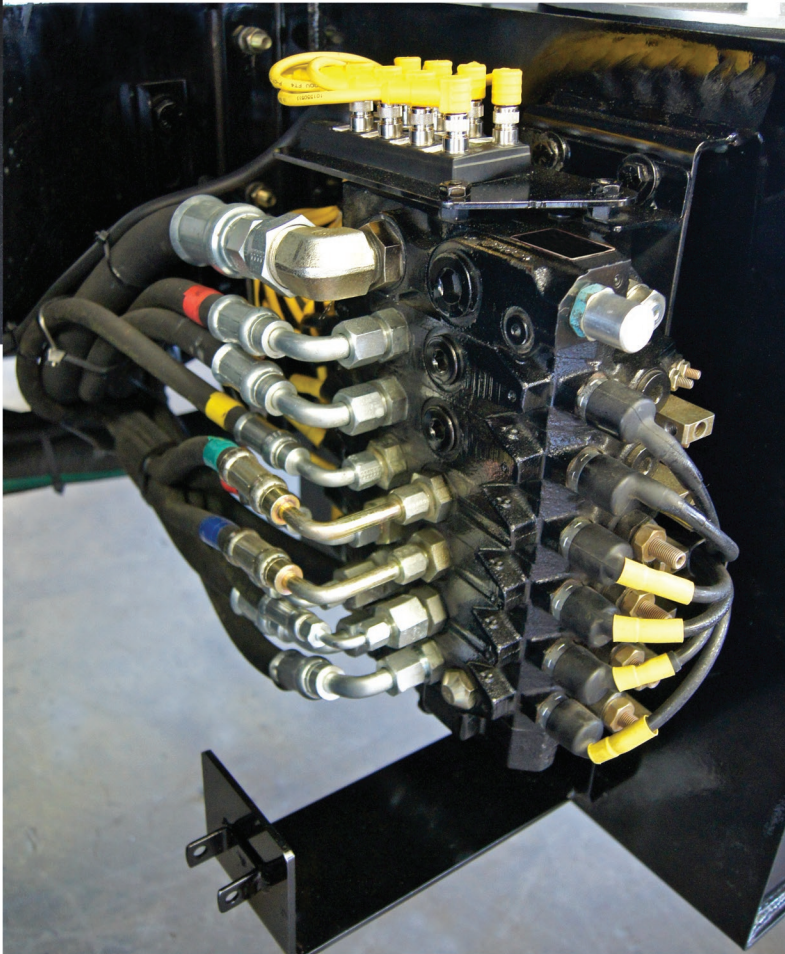
STAINLESS STEEL CONSTRUCTION STANDARD

TANK TOP 45 OR 100 GPM FILTER ASSY.

AIR FILTER FOR HYDRAULIC OIL/TANK

5" COMBINATION FLUID LEVEL TEMP GAUGE

EASILY REMOVABLE VALVE COVER



Allied Mobile Envision

FEATURE PACKED
HYDRAULIC SYSTEM

PROVEN CAST IRON SECTIONAL VALVE

ZINC PLATED FOR CORROSION PROTECTION

INTERCHANGEABLE SPOOL DESIGN

LOW ELECTRICAL INPUT

ADD FUNCTIONS WITHOUT ADDING TO ENVELOPE SIZE

EASY ACCESS TO HOSES AND FITTINGS

OPEN CENTER OR LOAD SENSE...SAME VALVE

GEAR PUMP OR PISTON PUMP COMPATIBLE

HYDRAULIC POWER AT THE
TIP OF YOUR FINGERS...

POINT, TOUCH, DONE.



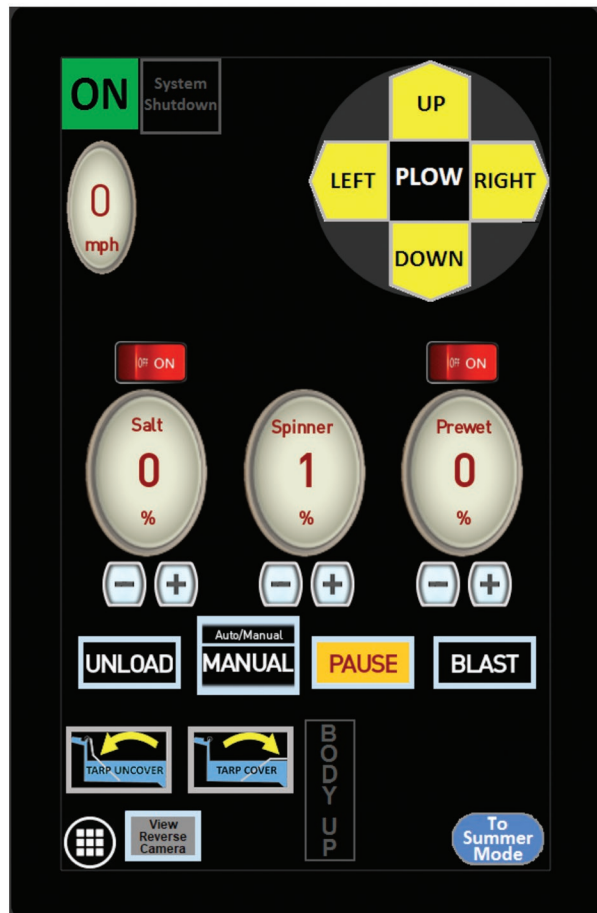
www.Godwinmfg.com

1.800.892.0181

17665 US421 S. Dunn, NC 28334 P.O. Box 1147 Dunn, NC 28335
Phone (910) 892-0141 • Fax (910) 892-7402



Allied Mobile Envision Hydraulics By

TOUCHSCREEN CONTROL

TASK SPECIFIC OPERATOR SCREEN OPTIONS FOR EASE OF USE AND SAFETY LOCKOUTS

COMPACT DESIGN OFFERS MULTIPLE MOUNTING CONFIGURATIONS (CAPABLE OF SEAT MOUNTING)

OPTIONAL TELEMATICS, GPS, WIFI, OR CELLULAR COMMUNICATION CAPABILITIES

CAN-BUS FOR SIMPLIFIED WIRING

MULTIPLE CAMERA OPTIONS AVAILABLE, (I.E. AUTO REVERSE CAMERA)

ON-BOARD DATA LOGGING STORAGE

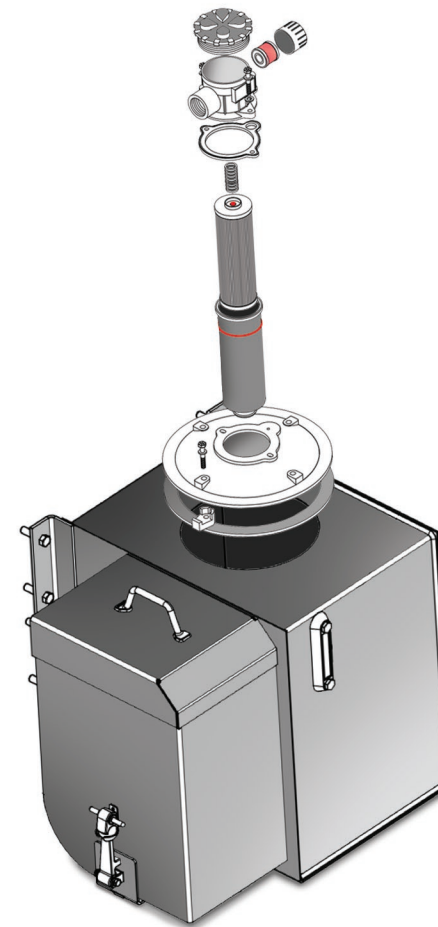
PASSIVE AND ACTIVE SAFETY SYSTEMS FOR LOW/HOT OIL, BED ELEVATED, AND FILTER FAULT

EXTREMELY LOW AMP DRAW AT LESS THAN 15AMPS

SEAT OR FLOOR MOUNTED CONSOLE ADJUSTS FOR OPERATOR CONVENIENCE AND SAFETY USING POSITIVE STOP BRACKETS TO RESIST MOVEMENT

IN-CAB ELECTRONICS MODULE KEEPS WIRING INSIDE CAB USING LESS SPACE

ANCILLARY CONTROLS CAN BE ADDED SUCH AS JOYSTICKS, PUSH BUTTONS, ETC.



RESERVOIR

INDUSTRY PROVEN VERTICAL DESIGN 30 GALLON RESERVOIR TAKES UP LESS SPACE (40 GALLON OPT)

10GA 50K STEEL CONSTRUCTION (STAINLESS OPT.)

TANK TOP FILTER WITH AIR FILTER/BREATHING (45GPM STD, OPT 100GPM)

DROP IN FILTER CARTRIDGE OFFERS CLEANER AND MORE ENVIRONMENTALLY ACCEPTABLE SERVICING.

FILTER GAGE PORT FOR SENSORS OR CONDITION GAUGE

10" DIAMETER DOMED CLEAN OUT COVER WITH REUSABLE RUBBER GASKET

2" SUCTION PORT WITH 125 MESH INTERNAL SUCTION STRAINER W/5PSI BYPASS

2-1" AUX. RETURN PORTS W/DIFFUSERS

2-1/2" SENSOR PORTS

3/4" DRAIN PLUG

5" COMBINATION FLUID LEVEL/TEMPERATURE GAUGE

SHOT BLASTED, ZINC PRIMED, AND POWDER COATED BLACK (STEEL)

INTEGRAL VALVE MOUNT WITH QUICK ACCESS COVER

VALVE

PROVEN DESIGN IN MANY OTHER MOBILE MARKETS

FITS ANY TYPE PUMP SYSTEM (EVEN LOAD SENSE)

MANUAL OVERRIDES STD.

INTERNAL PILOT SUPPLY, LOAD SENSE NETWORK

CAST IRON SECTIONAL VALVE WITH INTERCHANGEABLE SPOOLS

ALL PROPORTIONAL VALVES (ELECTRONICALLY PROGRAMMABLE)

ZINC PLATED VALVE BODY

COMPACT, HIGH FLOW VALVE DESIGN (MAX FLOW 50GPM)

VALVE RATED AT 5,000PSI (2100PSI RELIEF SETTING)

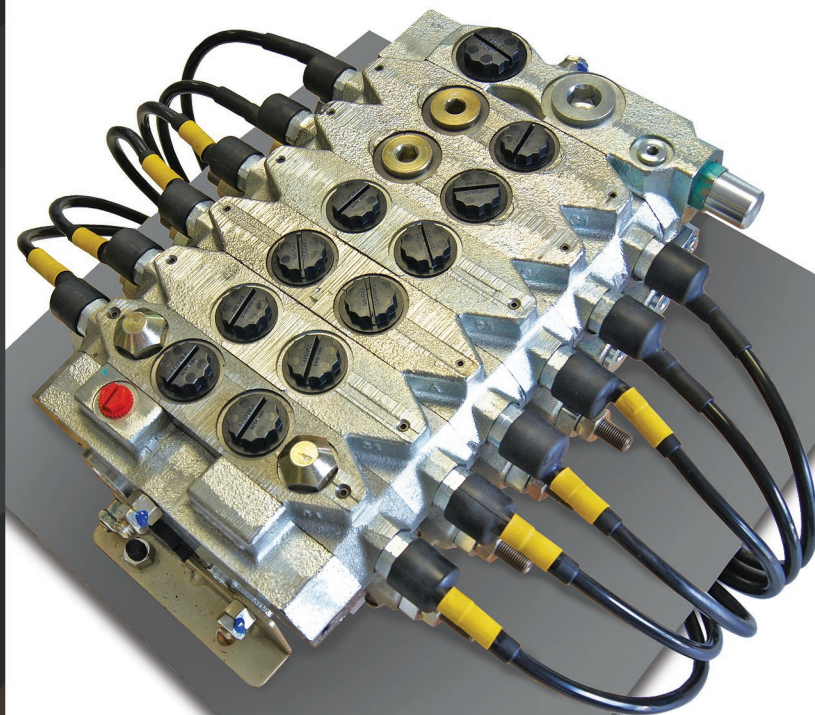
O-RING PORTING

LOW CURRENT COILS (LESS THAN 500MA)

SPOOL LIMITERS FOR FLOW CONTROL (ALSO ELECTRONICALLY PROGRAMMABLE)

INTERCHANGEABLE SPOOLS

ALL VALVE CONNECTIONS ARE DEUSTCH TYPE



HYDRAULIC PUMP OPTIONS

-PISTON PUMP FOR LOAD SENSE APPLICATIONS:

VARIABLE DISPLACEMENT

PRESSURE COMPENSATED

FLOWS TO 50GPM

-GEAR PUMP FOR OPEN CENTER OR LOAD SENSE APPLICATIONS:

BI-ROTATIONAL

SIDE AND REAR PORTING

CAST IRON CONSTRUCTION FOR LONG LIFE

BOTH PUMP SYSTEMS HAVE AN SAE MOUNTING FLANGE AND SPLINED SHAFT

WE OFFER OPEN CENTER AND LOAD SENSE SYSTEMS MOST ARE OPEN CENTER APPLICATIONS FOR SIMPLICITY AND COST SAVINGS WITH LITTLE COMPROMISE ON PERFORMANCE.

