



SPACE SAVING AND COMPACT VERTICAL TANK AND VALVE DESIGN

30 OR 40 GALLON CAPACITY

10 GAUGE 50K STEEL CONSTRUCTION (STAINLESS AVAILABLE)

TANK TOP 45 OR 100 GPM FILTER ASSY.

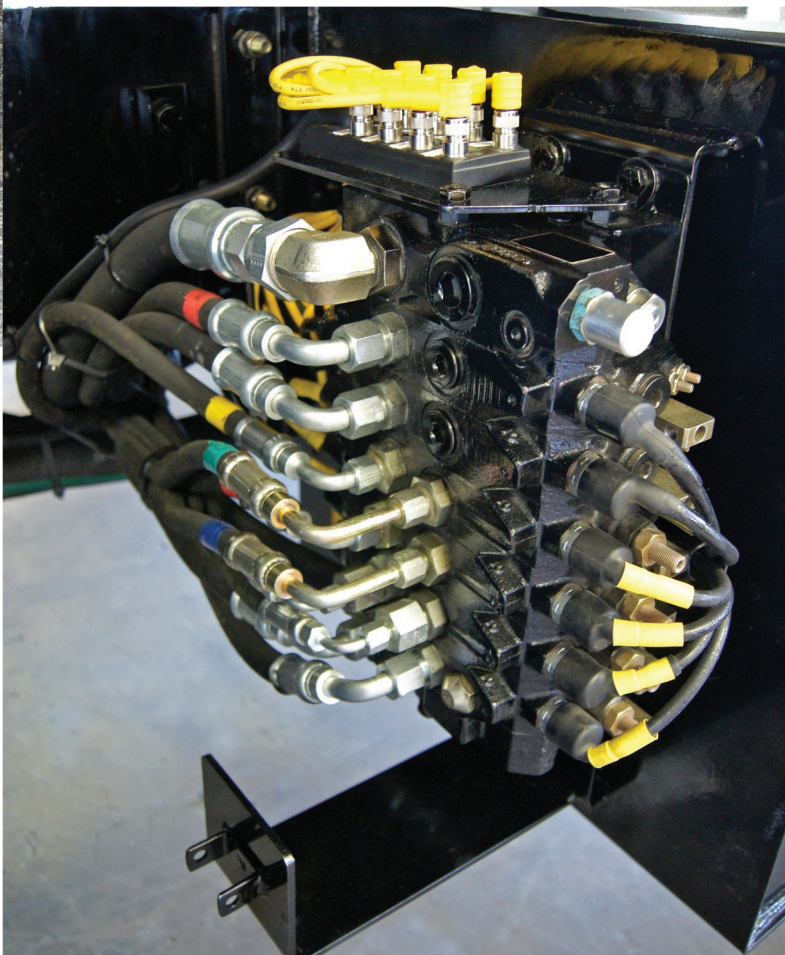
AIR FILTER FOR HYDRAULIC OIL/TANK

5" COMBINATION FLUID LEVEL TEMP GAUGE

EASILY REMOVABLE VALVE COVER

Allied Mobile Touch

COMPACT INTEGRATED HYDRAULIC SYSTEM



PROVEN CAST IRON SECTIONAL VALVE

ZINC PLATED FOR CORROSION PROTECTION

INTERCHANGEABLE SPOOL DESIGN

LOW ELECTRICAL INPUT

ADD FUNCTIONS WITHOUT ADDING TO ENVELOPE SIZE

EASY ACCESS TO HOSES AND FITTINGS

OPEN CENTER OR LOAD SENSE...SAME VALVE

GEAR PUMP OR PISTON PUMP COMPATIBLE

HYDRAULIC POWER AT THE TIP OF YOUR FINGERS...

POINT, CLICK, DONE.



www.Godwinmfg.com

1.800.892.0181

17665 US421 S. Dunn, NC 28334 P.O. Box 1147 Dunn, NC 28335
Phone (910) 892-0141 • Fax (910) 892-7402



Allied Mobile Touch Hydraulics By 



IN CAB TOUCH PAD

ALL-IN-ONE CONTROLLER FOR HYDRAULIC FUNCTIONS

RUGGED STEEL ENCLOSURE PROTECTS AGAINST R/F

COMPACT DESIGN OFFERS MULTIPLE MOUNTING CONFIGURATIONS (CAPABLE OF SEAT MOUNTING)

INDIVIDUAL FUNCTIONS FULLY PROGRAMMABLE

SPREADER CONTROL CAN BE MANUAL, GROUND SPEED TRIGGERED, OR GROUND SPEED ORIENTED

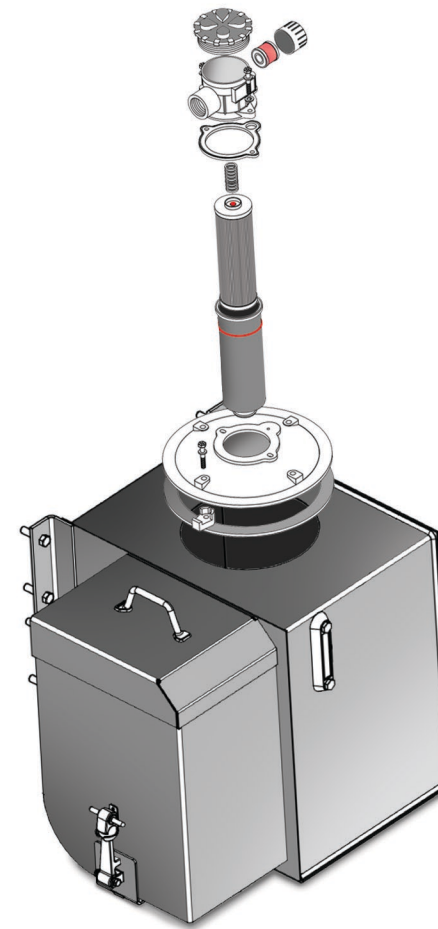
OPEN LOOP SPREADER, MAINTAINS GOOD ACCURACY AND SIMPLICITY

ACTIVE SAFETY SHUT DOWN SYSTEMS FOR LOW/HOT HYDRAULIC OIL, BODY UP DISABLE

PASSIVE SAFETY SYSTEMS FOR HYDRAULIC FILTER, BED ELEVATED

LOW SYSTEM AMP DRAW, LESS THAN 10 AMPS

USE COMMON TOOLS FOR TROUBLESHOOTING (NO LAPTOP NEEDED)



RESERVOIR

INDUSTRY PROVEN VERTICAL DESIGN 30 GALLON RESERVOIR TAKES UP LESS SPACE (40 GALLON OPT)

10GA 50K STEEL CONSTRUCTION (STAINLESS OPT.)

TANK TOP FILTER WITH AIR FILTER/BREATHING (45GPM STD, OPT 100GPM)

DROP IN FILTER CARTRIDGE OFFERS CLEANER AND MORE ENVIRONMENTALLY ACCEPTABLE SERVICING.

FILTER GAGE PORT FOR SENSORS OR CONDITION GAUGE

10" DIAMETER DOMED CLEAN OUT COVER WITH REUSABLE RUBBER GASKET

2" SUCTION PORT WITH 125 MESH INTERNAL SUCTION STRAINER W/5PSI BYPASS

2-1" AUX. RETURN PORTS W/DIFFUSERS

2-1/2" SENSOR PORTS

3/4" DRAIN PLUG

5" COMBINATION FLUID LEVEL/TEMPERATURE GAUGE

SHOT BLASTED, ZINC PRIMED, AND POWDER COATED BLACK (STEEL)

INTEGRAL VALVE MOUNT WITH QUICK ACCESS COVER

VALVE

PROVEN DESIGN IN MANY OTHER MOBILE MARKETS

FITS ANY TYPE PUMP SYSTEM (EVEN LOAD SENSE)

MANUAL OVERRIDES STD.

INTERNAL PILOT SUPPLY, LOAD SENSE NETWORK

CAST IRON SECTIONAL VALVE WITH INTERCHANGEABLE SPOOLS

ALL PROPORTIONAL VALVES (ELECTRONICALLY PROGRAMMABLE)

ZINC PLATED VALVE BODY

COMPACT, HIGH FLOW VALVE DESIGN (MAX FLOW 50GPM)

VALVE RATED AT 5,000PSI (2100PSI RELIEF SETTING)

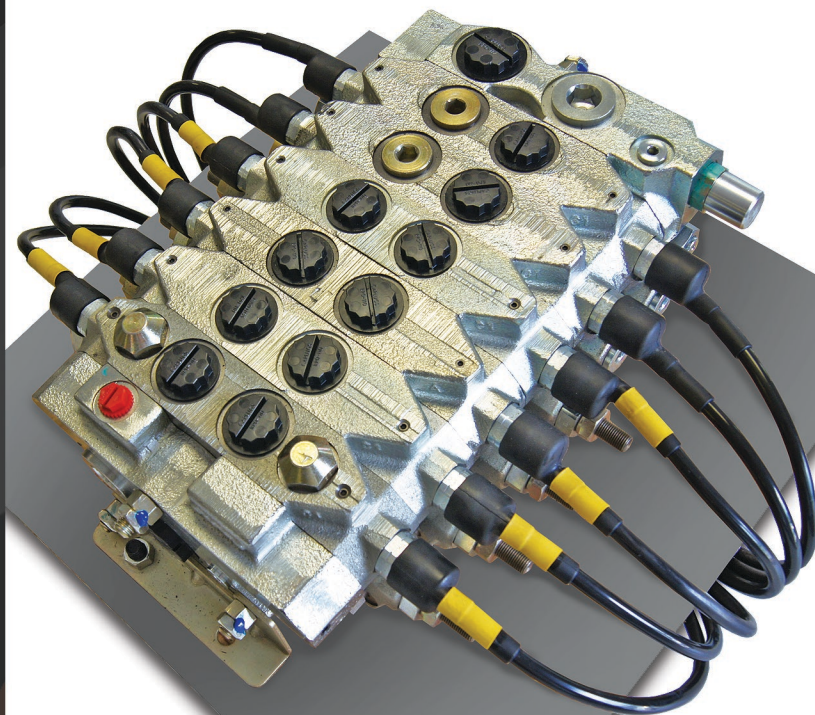
O-RING PORTING

LOW CURRENT COILS (LESS THAN 500MA)

SPOOL LIMITERS FOR FLOW CONTROL (ALSO ELECTRONICALLY PROGRAMMABLE)

INTERCHANGEABLE SPOOLS

ALL VALVE CONNECTIONS ARE DEUSTCH TYPE



HYDRAULIC PUMP OPTIONS

-PISTON PUMP FOR LOAD SENSE APPLICATIONS:

VARIABLE DISPLACEMENT

PRESSURE COMPENSATED

FLOWS TO 50GPM

-GEAR PUMP FOR OPEN CENTER OR LOAD SENSE APPLICATIONS:

BI-ROTATIONAL

SIDE AND REAR PORTING

CAST IRON CONSTRUCTION FOR LONG LIFE

BOTH PUMP SYSTEMS HAVE AN SAE MOUNTING FLANGE AND SPLINED SHAFT

WE OFFER OPEN CENTER AND LOAD SENSE SYSTEMS MOST ARE OPEN CENTER APPLICATIONS FOR SIMPLICITY AND COST SAVINGS WITH LITTLE COMPROMISE ON PERFORMANCE.

