

**GOOD  
ROADS**™  
*Since 1878*

**By Godwin 1-800-637-7651**

## **Snow Plow Owner and Operator's Guide**



## Notes

It is recommended that the Owner/Operator record the following information immediately after purchasing. So that when calling for Parts or Service, the information will be readily on hand.

### Plow

Model Number \_\_\_\_\_

Serial Number \_\_\_\_\_

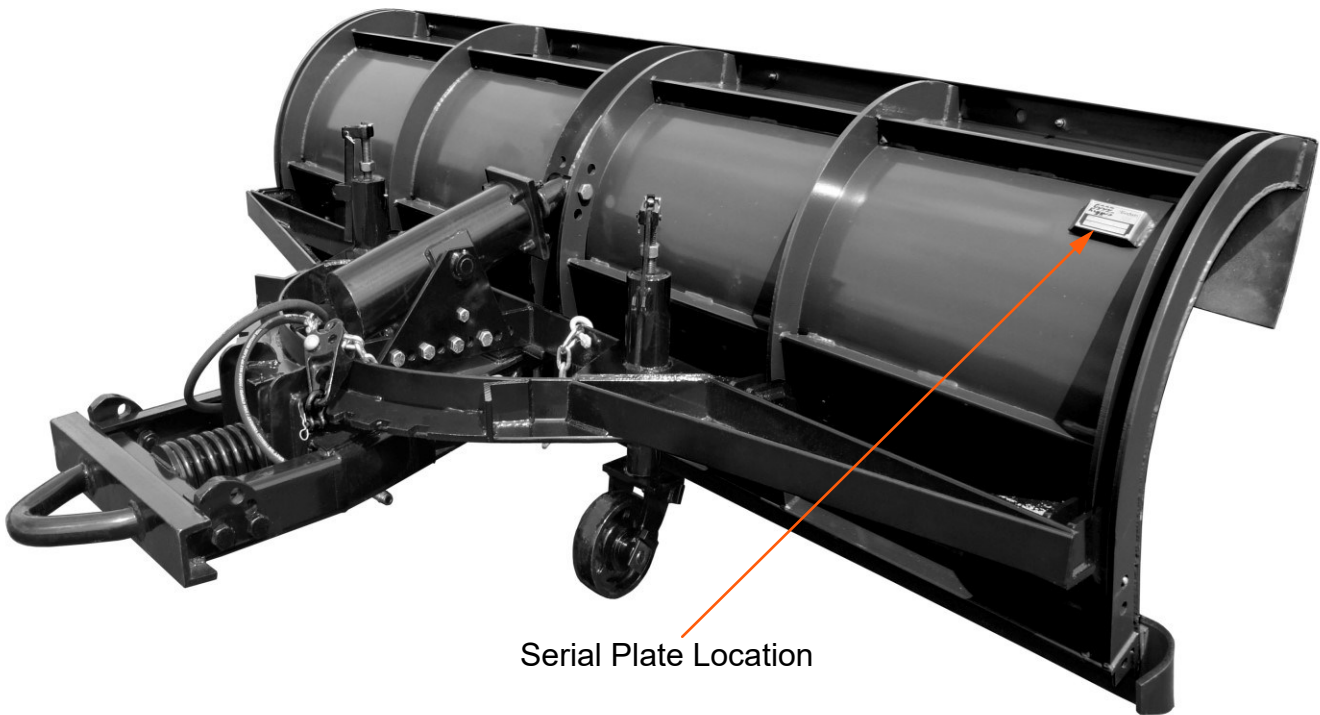
### Truck

Year \_\_\_\_\_

Make \_\_\_\_\_

Model \_\_\_\_\_

Truck Number \_\_\_\_\_



Godwin Manufacturing Co., Inc.  
Highway 421 South  
P.O. Box 1147  
Dunn, NC. 28334  
Phone: 1-800-637-7651  
Fax: 1-910-892-7402

09-2019





# TABLE OF CONTENTS

	<b>Page</b>
Safety Alert Symbols .....	4
Safety Checklist .....	5
Periodic Inspections .....	6
Push Frame Mounting Instructions .....	7-8
Connecting Hydraulic Lines .....	9
Lubrication Points .....	10
Plow Trip Adjustments .....	11
A181261 (GN200); Universal Push Frame .....	12-13
A181129 (GN200Q); Quick Connect Push Frame .....	14-15
A181380 (GN200T); Tilt Push Frame .....	16-17
A181377 (GN200TQ); Tilt Push Frame, Quick Hitch Push Frame .....	18-19
A181285 (GN200); Push Frame, Chassis Bolt-On .....	20-21
A181296 (GN200); Push Frame, Narrow Chassis Bolt-On .....	22-23
<b>112M Snow Plow Assemblies</b>	
A80274; 112M Snow Plow with Power Reverse Semi-Circle .....	24-25
A80271; 112M Snow Plow with Manual/Non-Locking Semi-Circle .....	26-27
A80273; 112M Power Reverse Semi-Circle .....	28
62100374; 112M Manual/Non-Locking Semi-Circle .....	29
A80012; 9' x 30" 112M Snow Plow .....	30
A80005; 9' x 36" 112M Snow Plow .....	31
<b>120M Snow Plow Assemblies</b>	
A80268; 120M Snow Plow with Power Reverse Semi-Circle .....	32-33
A80269; 120M Snow Plow with Manual/Non-Locking Semi-Circle .....	34-35
A80270; 120M Snow Plow with Double Acting Non-Locking, Power Reverse Semi-Circle .....	36-37
A80133; 120M Power Reverse Semi-Circle .....	38
62100625; 120M Manual/Non-Locking Semi-Circle .....	39
62107698; 120M Double Acting Semi-Circle .....	40
62105755; 10' x 30" 120M Snow Plow .....	41
62105765; 10' x 36" 120M Snow Plow .....	42
62105770; 10' x 42" 120M Snow Plow .....	43
A80010; 11' x 30" 120M Snow Plow .....	44
62105773; 11' x 36" 120M Snow Plow .....	45
62105829; 11' x 42" 120M Snow Plow .....	46
A80177; 11' x 48" 120M Snow Plow .....	47
A80011; 12' x 30" 120M Snow Plow .....	48
62107039; 12' x 36" 120M Snow Plow .....	49
62105830; 12' x 42" 120M Snow Plow .....	50
A80151; 12' x 48" 120M Snow Plow .....	51
<b>Miscellaneous Assemblies</b>	
MP50125; Godwin 310DA Push Frame Cylinder .....	52
62100199; Trunnion Plate Assembly .....	53
62100124; Bolt-on Caster Assembly .....	54
62100140; Lift Chain with Spring Assembly .....	55
62100241; Lift Arm Chain Assembly .....	56
A181808; Optional Air Chamber Assembly .....	57
P99806255; End Marker .....	58
P98101; Reflective Tape .....	58
Warranty Statement .....	59

**NOTICE: Before operating, maintaining, or repairing this equipment, read this manual completely and refer to it continuously.**

## Safety Alert Symbols

The terms Danger, Warning, and Caution are used to indicate different levels of potential hazard to equipment and personnel.



Indicates a hazardous situation which, if not avoided, will result in serious injury or death. This signal word is to be limited to the most extreme situations.



Indicates a hazardous situation which, if not avoided, will result in serious injury or death.



Indicates a hazardous situation which, if not avoided, will result in minor injury.



Used to warn of a potential hazard to the equipment.

## Safety Checklists



To prevent possible death or injury to personnel and damage to the equipment, the following checklist is to be performed prior to operating and while operating the Truck and Snow Plow.

### **Pre-Operation Checklist**

- Prior to initial operation of truck and oist read this manual completely and refer to it continuously.
- Prior to operation of Hoist read and understand all the Safety Symbols, (Cautions, Warnings, and Dangers) in this manual, identify them on the Truck and Hoist, and follow their instructions carefully. If any Safety Symbols are missing or incomplete on the Subframe, Hoist, or Dump Body order them from Godwin Manufacturing.
- Do not allow unauthorized personnel to operate this equipment.
- Do not allow personnel to ride in or on the truck body.
- Do not operate a loaded truck on unlevel or soft surfaces.
- Prior to operation of Hoist inspect to ensure that the safety props, pump/valve guard, & PTO shaft guards are in place and in good working order.
- Disengage the PTO drive prior to operating the truck.  
Moderately high PTO speeds will damage the pump and sustained high PTO speeds may cause the hydraulic oil temperature to rise high enough to damage the pump.

### **Operational Checklist**

- Before loading the Truck make sure that the load does not exceed the Gross Vehicle Weight (GVW) rating of vehicle or the hoist's rated lifting capacity.
- Always load the dump body evenly from side-to-side and from front-to-rear.
- Prior to operating the hoist ensure the area is clear of personnel and equipment.
- Do not allow hoist controls and the area around them to become cluttered with tools, cans, etc.
- Do not operate the hoist under Power Lines.
- Do not raise the hoist when truck is in motion.
- Do not move the truck with the hoist raised.
- Always release tailgate latching controls prior to lifting the dump body.
- Always operate the hoist controls from inside the truck cab.
- Do not go underneath a loaded and raised truck body under ANY circumstances.
- Do not go underneath a truck with the engine running.
- Do not go underneath an unloaded raised truck body unless the safety props are properly installed.
- Do not leave truck unattended with truck body raised.

### **Post Operation Checklist**

- Do not use hands or other body parts to check for hydraulic leaks.
- Follow all Federal, State, and local regulation pertaining to this equipment.
- Keep all equipment properly maintained and serviced.



## **Periodic Inspections**

The following checklist is to be followed prior to operating and while operating the Truck and Hoist.

### **Daily Inspection (Before Operating)**

- Check hydraulic oil level and add more to the reservoir as needed.  
For PTO driven pumps use HD 32 hydraulic oil.  
For electric driven pumps use ATF, automatic transmission fluid.
- Check for any fluid leaks under truck and hoist.
- Make sure all components are securely fastened, such as frame/pump guard, tool box is closed, hydraulic hoses for spreader/plow properly stowed, etc.
- Check all lighting to be sure it is functioning properly.
- Check lighting on any towed equipment.
- Inspect hitch if towed equipment is attached and be sure safety chains are fastened.
- Test hydraulic functions and observe for proper operations.
- Check tire pressure per markings on the tires.

### **Weekly Inspection**

- Perform all of the above checks.
- Inspect all mechanical functions, i.e., hoist pivots, rear hinge pivots, single hitch, etc. Be sure they have been properly lubricated and show no signs of stress.
- Test Low Oil Shutdown system to be sure it is operating properly.

### **Bi-Monthly Inspection**

- Lubricate all hoist pivot points and rear hinge assemblies with chassis grease.
- Lubricate pintle hitch with chassis grease.

### **Six Months to One Year (Depending upon usage)**

- Change hydraulic oil filter. (First change after 50 hours of operation.)
- Inspect suction strainer in oil tank.
- Check hydraulic oil for contamination, discoloration, signs of wear, etc.

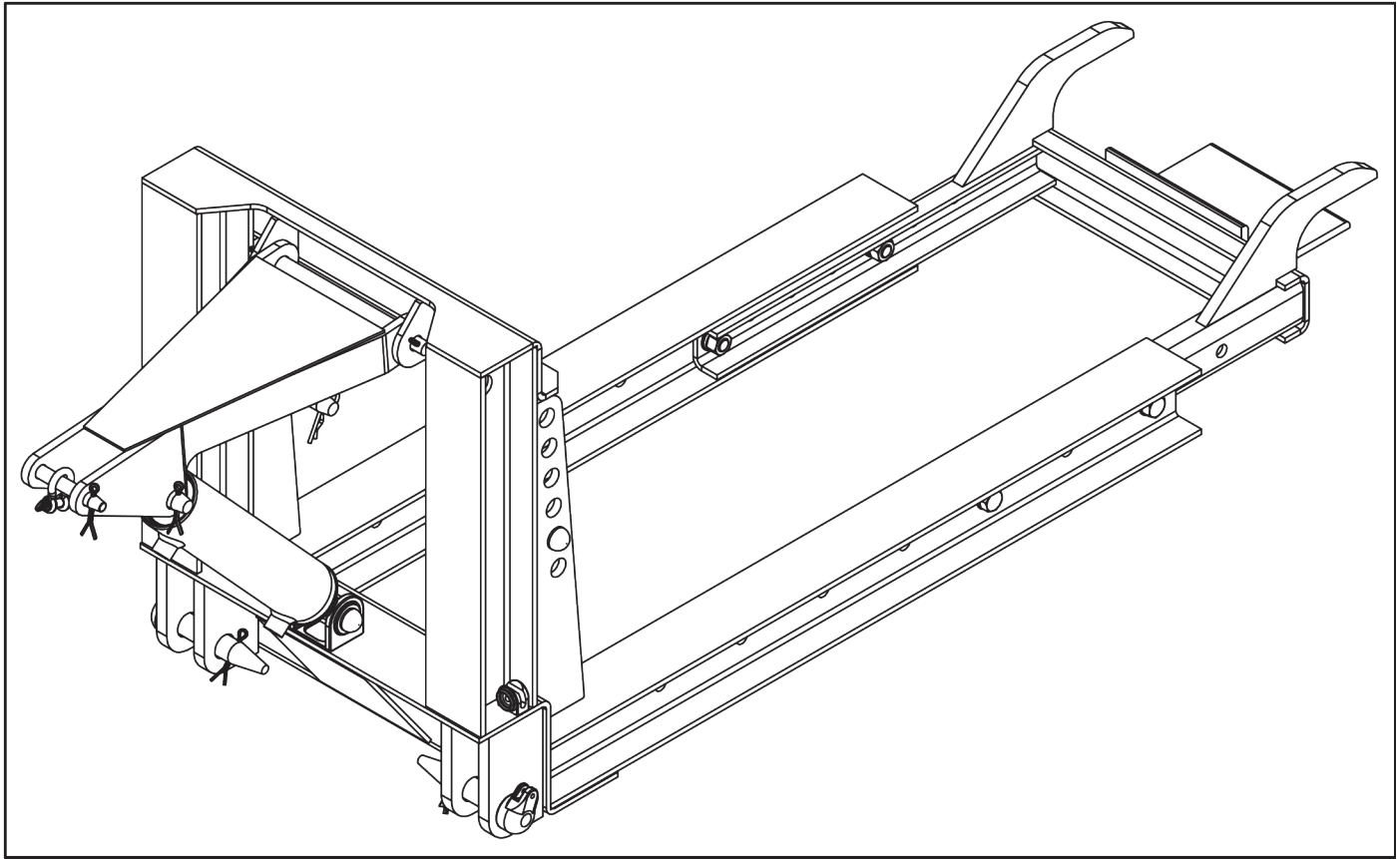


Figure 1: Push Frame, GN200, GN200T, & GR650T

### Mounting Instructions:

1. Using a Ground Guide, carefully align the truck and push frame with the plow assembly.  
**Note:** Plow assemblies are heavy and require an overhead crane or forklift to lift.
3. Lift the plow assembly and align it with the push frame.
4. Insert Lower Pins on each side of push frame.
5. Attach the chain block to the upper 'A' frame on push frame.
6. Connect the hydraulic lines to the proper ports. (Refer to page 9.)
7. Adjust the caster wheels (if applicable) to the desired height for plowing.

### Dismounting Instructions:

1. Adjust the caster wheels (if applicable) so that the lower A Frame on the plow will be at the proper connect height.
2. Lower the plow and disconnect the chain block. The chain must have slack for ease of disconnecting chain and plow.
3. Disconnect all hydraulic lines.
4. Remove lower pins on each side of push frame and back vehicle away from the plow.
5. Replace lower pins in push frame, for storage.

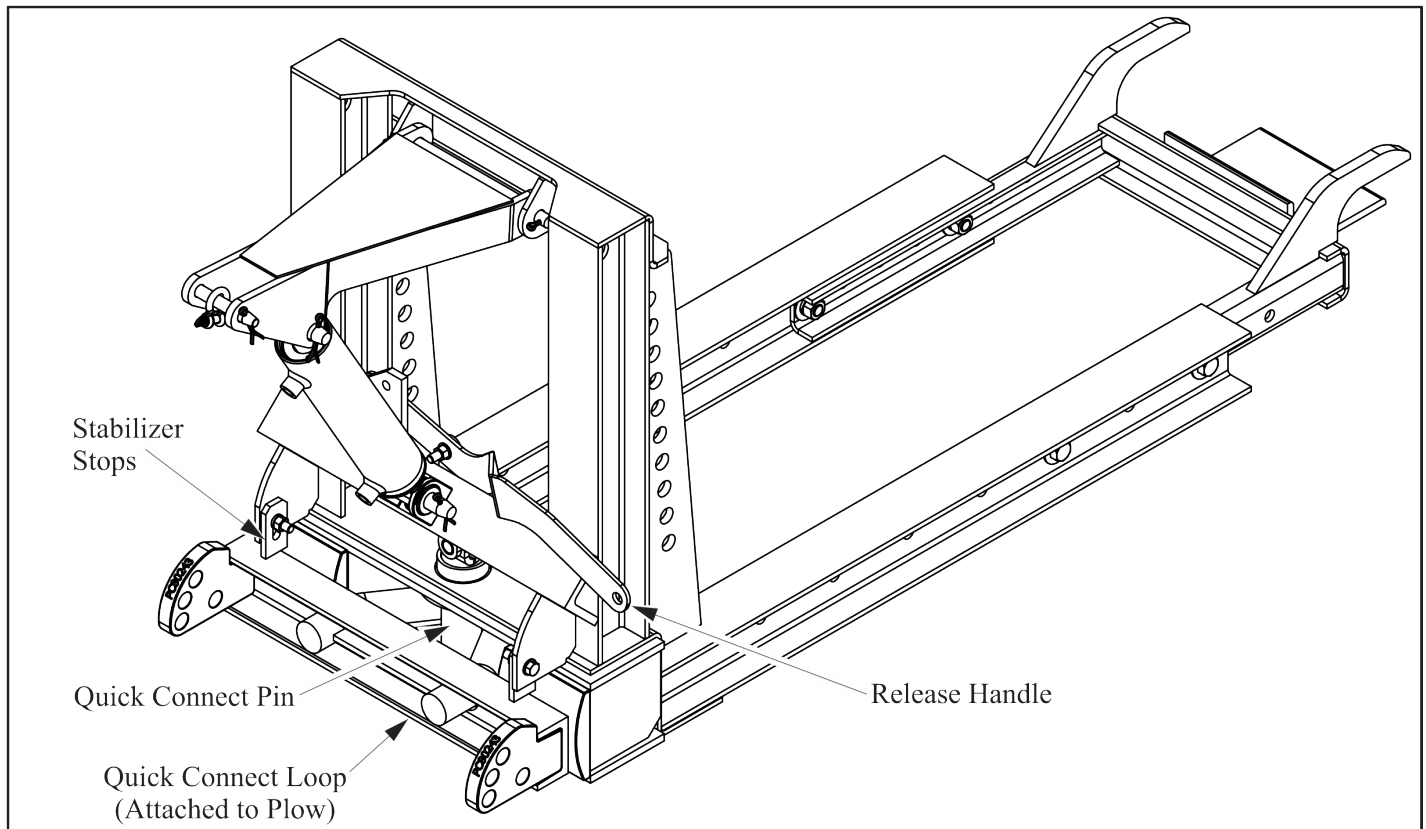


Figure 2: Quick Connect Push Frame, GN200Q, GN200TQ,

### Mounting Instructions:

1. Pull the release handle on the push frame up to raise the quick connect pin for receiving the quick connect loop (installed on the plow).
2. Drive the vehicle into the plow so that the quick connect loop engages the receiver opening on the push frame.
3. Rotate the release handle down to insert the quick connect pin into the quick connect loop.
4. Attach the chain block to the upper 'A' frame on push frame.
5. Raise the plow and adjust the stabilizer stops to stabilize the plow during travel.
6. Connect the hydraulic lines to the proper ports.
7. Adjust the caster wheels to the desired height for plowing if necessary.

### Dismounting Instructions:

1. Adjust the caster wheels so that the quick connect loop will be at the proper connect height.
2. Lower the plow and disconnect the chain block. The chain must have slack for ease of disconnecting chain and plow.
3. Disconnect all hydraulic lines.
4. Pull the release handle on the push frame to remove the quick connect pin from the quick connect loop.
5. Back vehicle away from the plow.



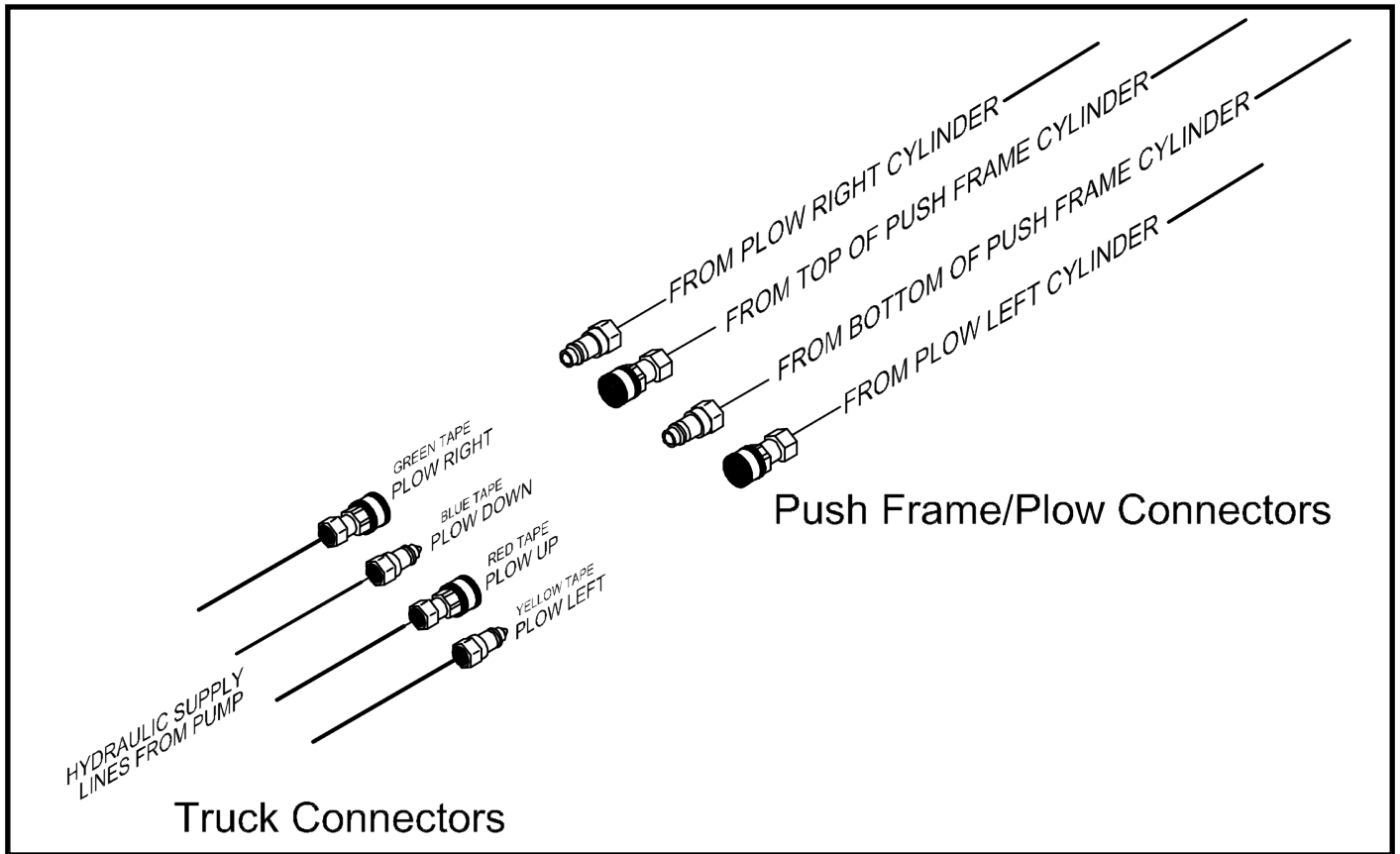
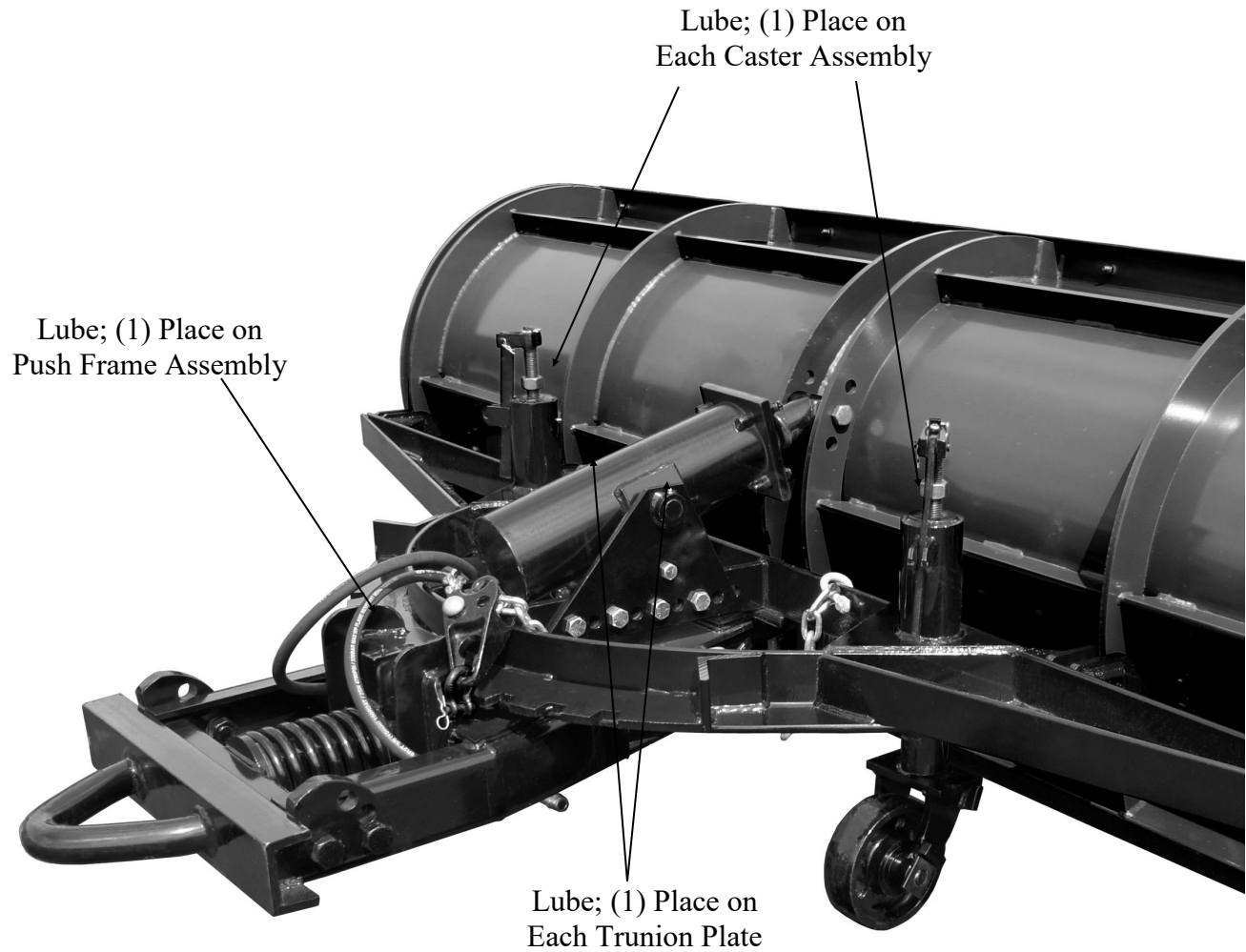


Figure 3: Hydraulic Connections (refer to PD40086)

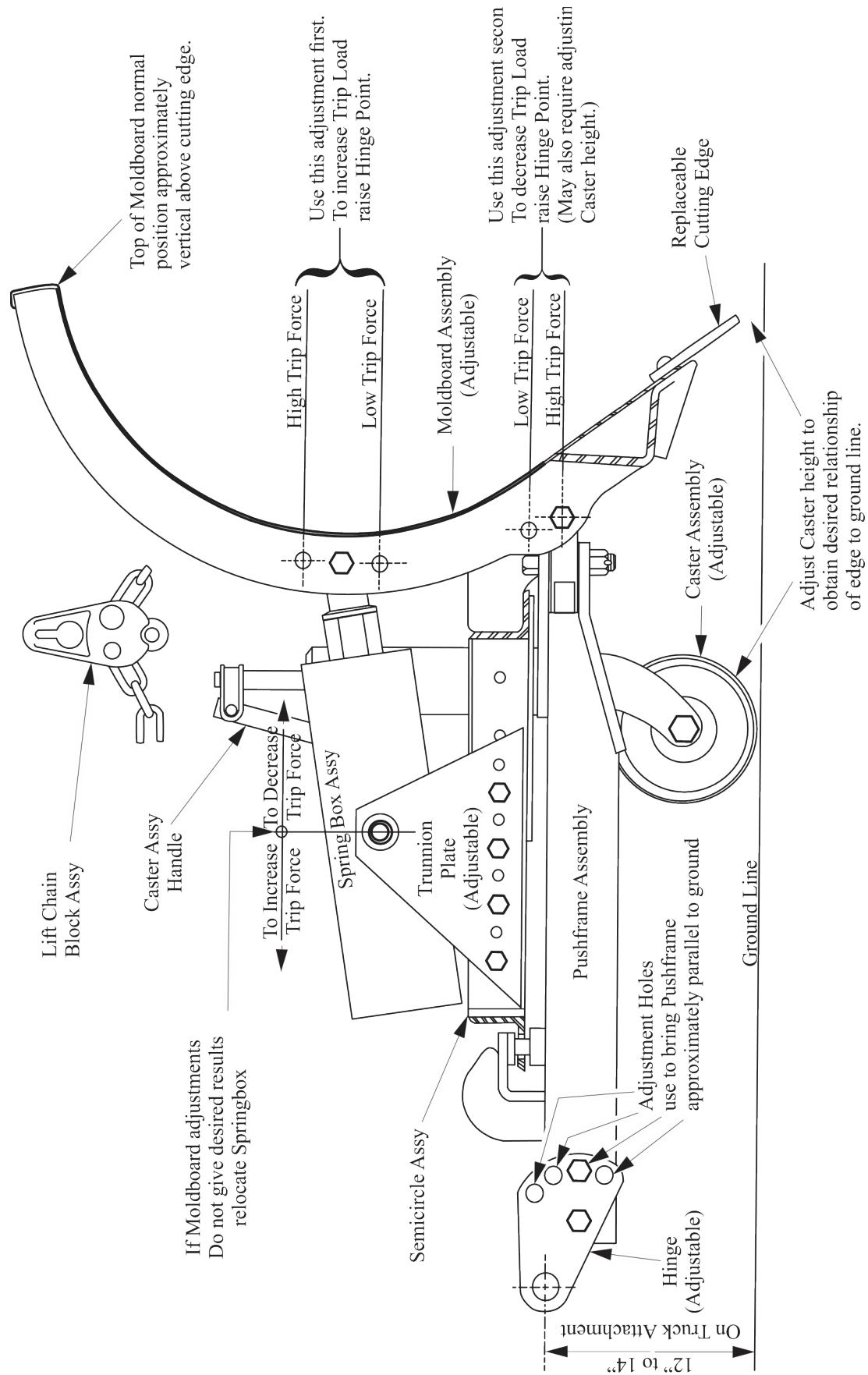
### Connecting Hydraulic Lines:

1. Refer to the image above to connect the appropriate hydraulic lines from the Push Frame and Plow to the hydraulic ports on the truck.
2. Check the location of all lines to ensure they are not in a pinch point.
3. Test connections for secure fit and proper function.

# Lubrication Points

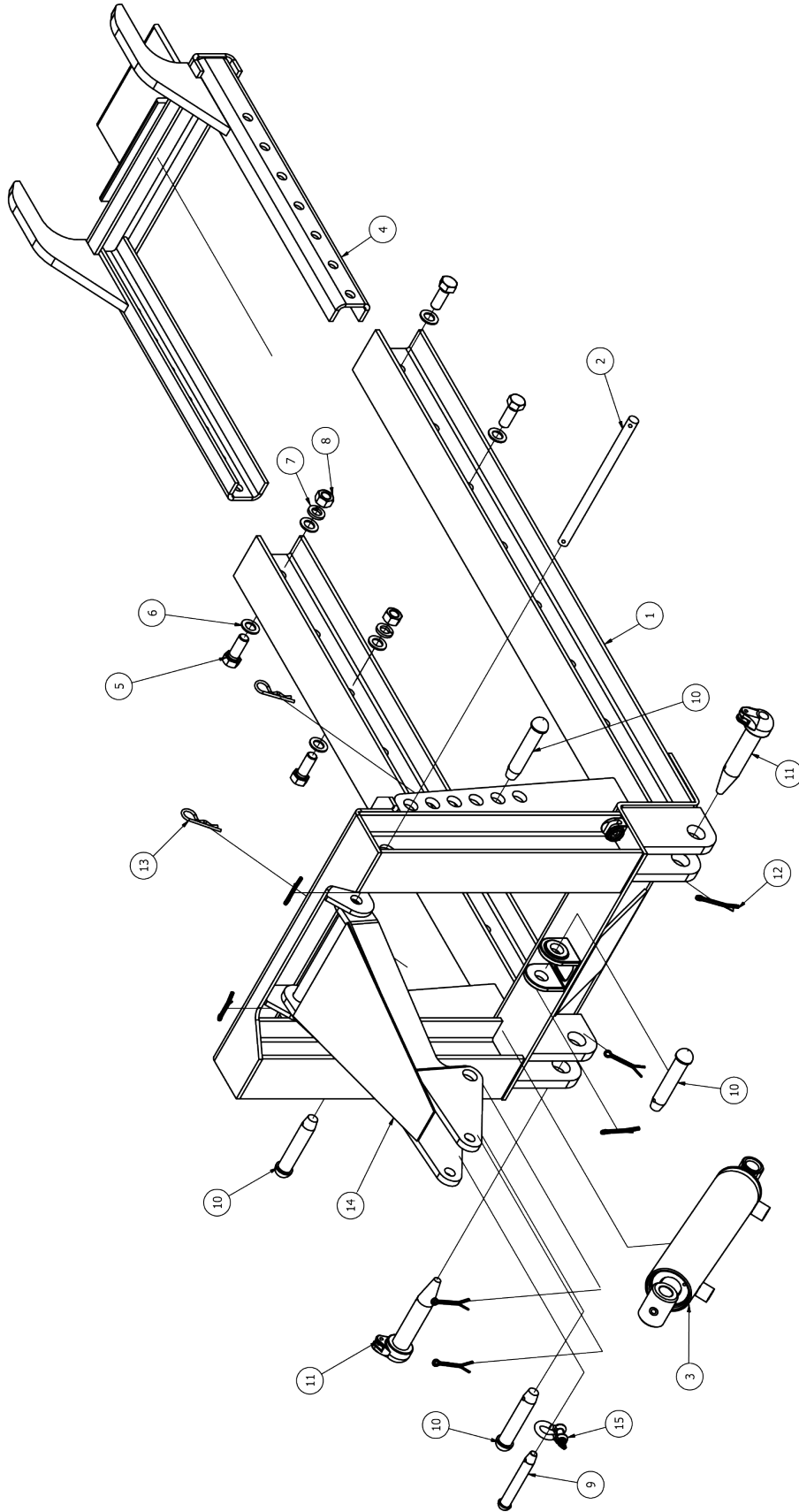


# Plow Trip Adjustment





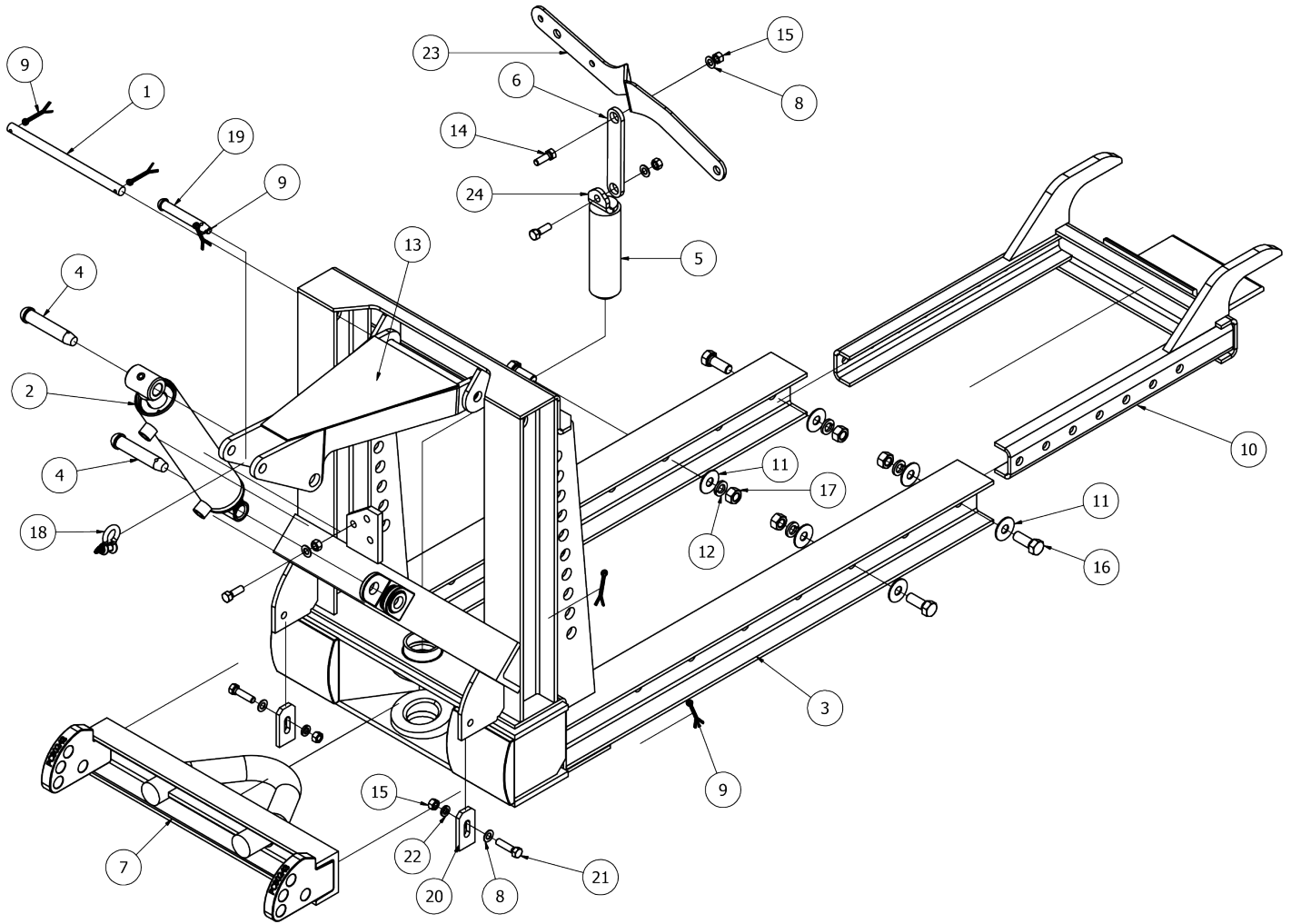
# A181261 (GN200); Universal Push Frame



### A181261 (GN200); Universal Push Frame - Parts List

Item	Qty.	Part No.	Description
1	1	W181259	Push Frame; Universal, 23" Uprights
2	1	SM10325	Pin, Swing Arm Push Frame
3	1	W21223	Weldment, Cylinder & Cap - 3-10 DA (ASP-310-DA-90)
4	1	W181746	Weldment, Adjustment Link
5	4	102-709-A1	Hex Bolt, 3/4 x 2
6	8	119-8	Plain Washer (Inch)
7	4	118-8-A1	Lock Washer, 3/4"
8	4	116-8-A1	Hex Nut, 3/4 x 2
9	1	PC10394	3/4" Lift Link Snow Plow Push Frame
10	4	PC10392	1" Pin for Push Frame
11	2	PC10746	Lower Pin, Ø1-1/4", with Chain Lug, Push Frame
12	5	125-259	Cotter Pin, 1/4 x 2 1/2
13	2	161-4	Pin, Cotter, Hair, .178 Dia
14	1	W18046	Swing Arm Weldment
15	1	P2G792	3/8" Anchor Shackle

# A181129 (GN200Q); Quick Connect Push Frame

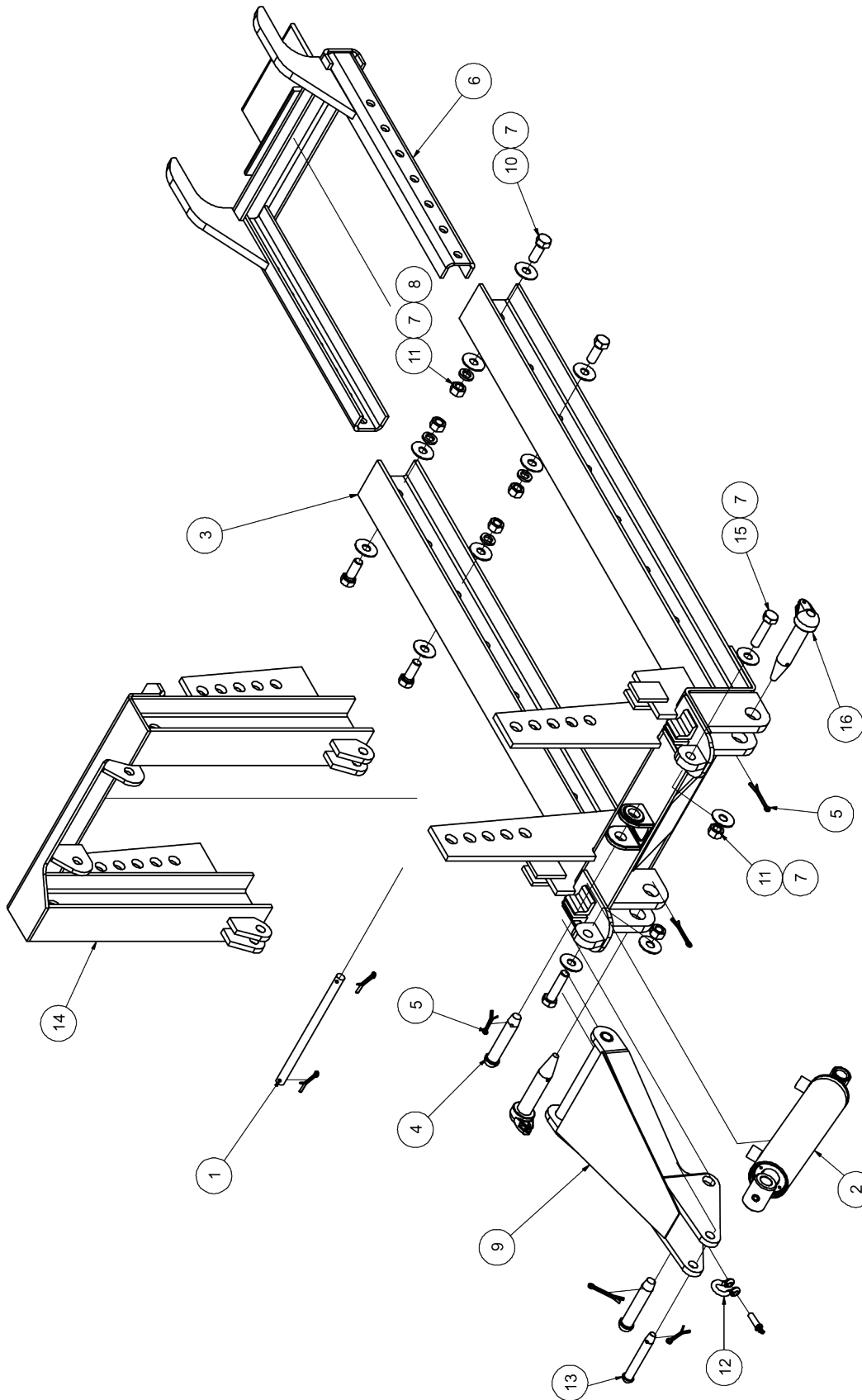




### A181129 (GN200Q); Quick Connect Push Frame - Parts List

Item	Qty.	Part No.	Description
1	1	SM10325	Pin, Swing Arm Push Frame
2	1	A21300	Assembly, 3-10 Cylinder
3	1	W18162	Weldment; Push Frame - Quick Connect
4	2	PC10392	1" Pin for Push Frame
5	1	SM18154	Bushing Coupler Pin-Top - Quick Connect
6	1	F181728	Connector Link - Quick Connect
7	1	W181130	Plow Attachment Weldment, Quick Connect
8	5	120-5	Flat Washer, 1/2"
9	5	125-259	Cotter Pin, 1/4 x 2 1/2
10	1	W181746	Weldment, Adjustment Link
11	8	120-8	Flat Washer. 3/4"
12	4	118-8-A1	Lock Washer, 3/4"
13	1	W18046	Swing Arm Weldment
14	3	102-407-A1	Hex Head Bolt, 1/2 UNC x 1 1/2"
15	5	116-5-A1	Hex Nut, 1/2 - 13 UNC
16	4	102-709-A1	Hex Bolt, 3/4 x 2
17	4	116-8-A1	Hex Nut, 3/4 x 2
18	1	P2G792	3/8" Anchor Shackle
19	1	PC10394	3/4" Lift Link Snow Plow Push Frame
20	2	F101469	Plow Stop Slide
21	2	102-409-A1	Hex Head Bolt, 1/2 UNC x 2
22	2	118-5-A1	Lock Washer, 1/2"
23	1	F181722	Handle; Quick Hitch Push Frame
24	1	F181729	Connector, Coupler Pin - Quick Connect

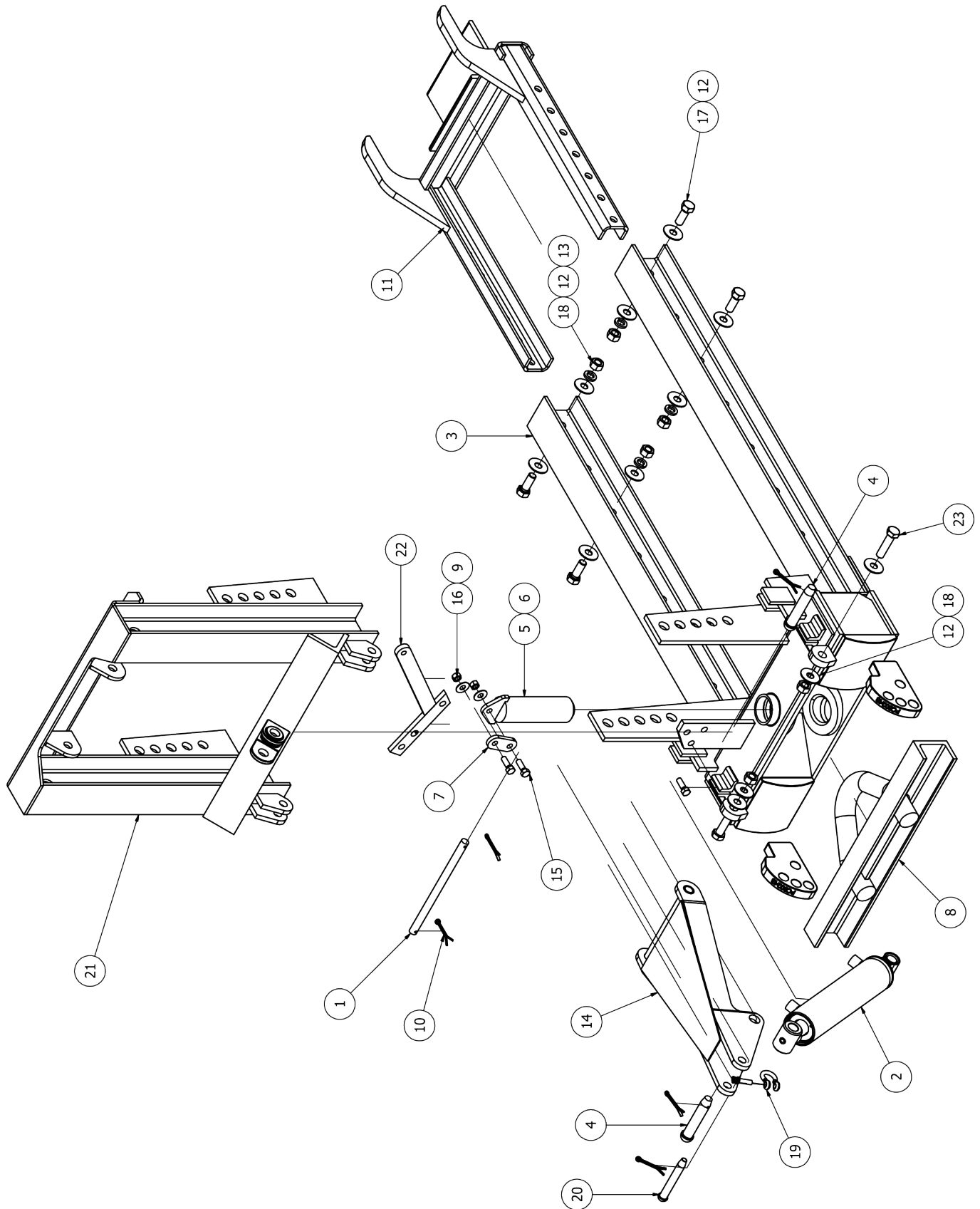
# A181380 (GN200T); Tilt Push Frame



### A181380 (GN200T); Universal Tilt Push Frame - Parts List

Item	Qty.	Part No.	Description
1	1	SM10325	Pin, Swing Arm Push Frame
2	1	W21223	Weldment, Cylinder & Cap - 3-10 DA (ASP-310-DA-90)
3	1	W181382	Weldment, Lower; Universal Tilt Push Frame
4	2	PC10392	1" Pin for Push Frame
5	7	125-259	Cotter Pin, 1/4 x 2 1/2"
6	1	W181746	Weldment, Adjustment Link
7	12	120-8	Flat Washer, 3/4"
8	4	118-8-A1	Lock Washer, 3/4"
9	1	W18046	Swing Arm Weldment
10	4	102-709-A1	Hex Bolt, 3/4 x 2"
11	6	116-8-A1	Hex Nut, 3/4
12	1	P2G792	3/8" Anchor Shackle
13	1	PC10394	3/4" Lift Link Snow Plow Push Frame
14	1	W181381	Weldment, Upper; Universal Tilt Push Frame w/Quick Connect
15	2	102-713-A1	Cap Screw, HH 3/4" UNC x 3" GR8
16	2	PC10746	Lower Pin, Ø1-1/4", with Chain Lug, Push Frame

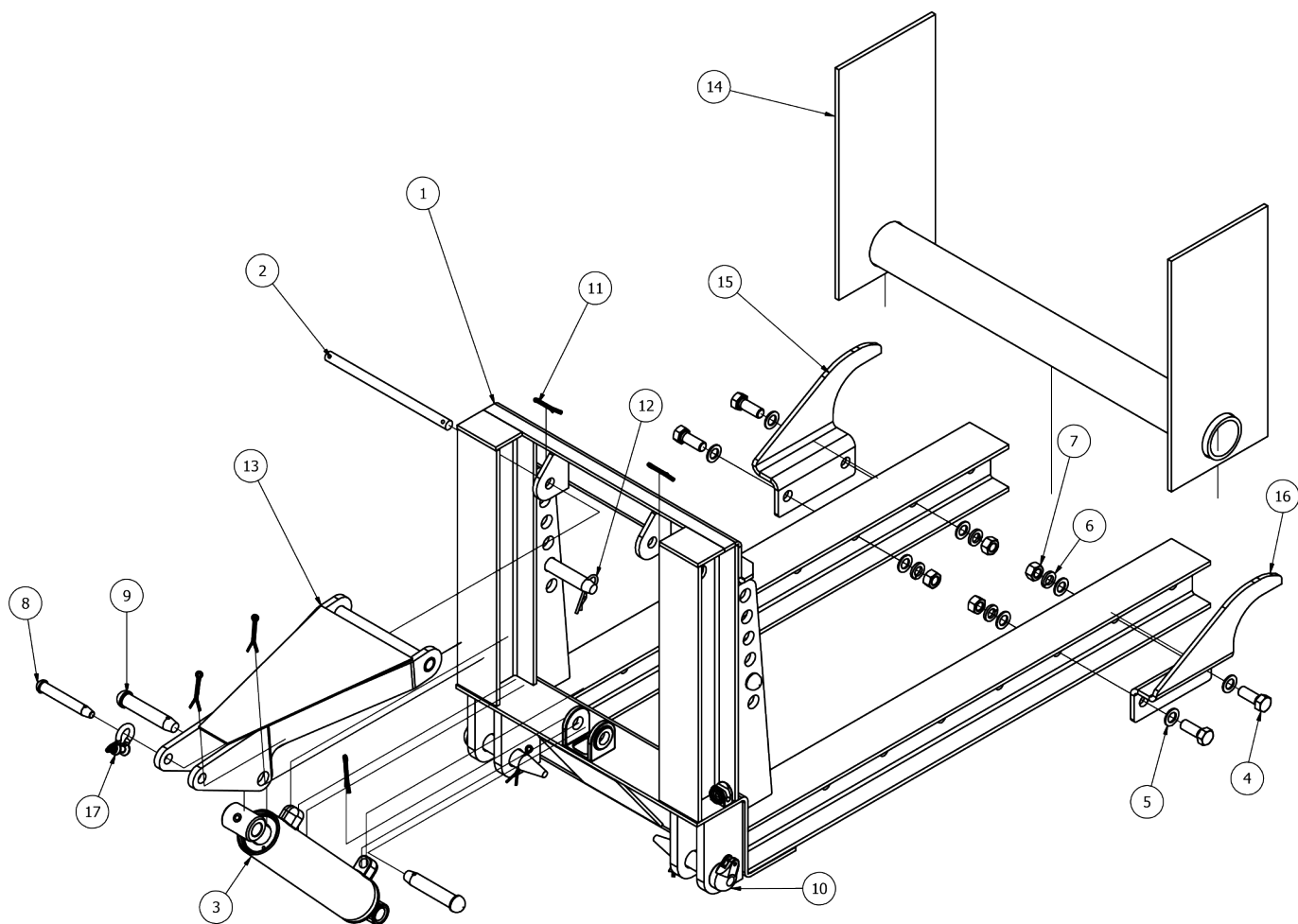
# A181377 (GN200TQ); Tilt Push Frame, Quick Hitch



### A181377 (GN200TQ); Tilt Push Frame with Quick Hitch - Parts List

Item	Qty.	Part No.	Description
1	1	SM10325	Pin, Swing Arm Push Frame
2	1	W21223	Weldment, Cylinder & Cap - 3-10 DA (ASP-310-DA-90)
3	1	W181378	Weldment, Lower; Universal Tilt Push Frame w/Quick Connect
4	2	PC10392	1" Pin for Push Frame
5	1	SM18154	Bushing Coupler Pin-Top - Quick Connect
6	1	F18155	Connector, Coupler Pin. - Quick Connect
7	1	F18157	Connector, Link - Quick Connect
8	1	W181130	Plow Attachment Weldment - Quick Connect
9	3	120-5	Flat Washer, 1/2"
10	5	125-259	Cotter Pin, 1/4 x 2 1/2"
11	1	W181746	Weldment, Adjustment Link
12	12	120-8	Flat Washer, 3/4"
13	4	118-8-A1	Lock Washer, 3/4"
14	1	W18046	Swing Arm Weldment
15	3	102-407-A1	Hex Bolt, 1/2 UNC x 1 1/2"
16	3	116-8-A1	Hex Nut, 1/2-13 UNC
17	4	102-709-A1	Hex Bolt, 3/4 x 2"
18	6	116-8-A1	Hex Nut, 3/4
19	1	P2G792	3/8" Anchor Shackle
20	1	PC10394	3/4" Lift Link Snow Plow Push Frame
21	1	W181381	Weldment, Upper; Universal Tilt Push Frame w/Quick Connect
22	1	020400040028	Weldment, Handle; Universal Tilt Push Frame w/Quick Hitch
23	2	102-713-A1	Cap Screw, HH 3/4" UNC x 3" GR8

# A181285 (GN200); Push Frame, Chassis Bolt-On

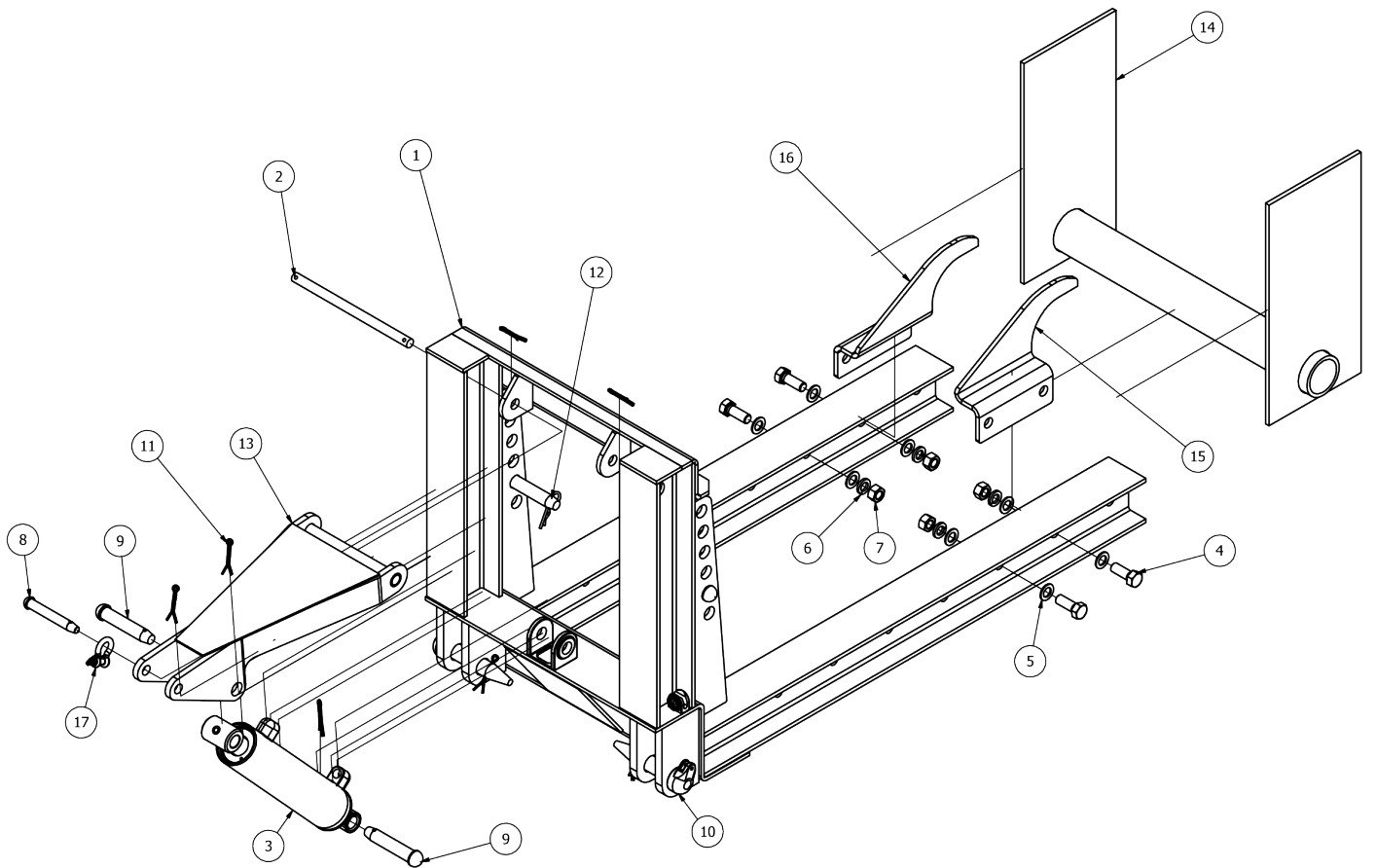


### A181285 (GN200); Push Frame with Chassis Bolt-On - Parts List

Item	Qty.	Part No.	Description
1	1	W181259	Push Frame; Universal, 23" Uprights
2	1	SM10325	Pin, Swing Arm Push Frame
3	1	W21223	Weldment, Cylinder & Cap - 3-10 DA (ASP-310-DA-90)
4	4	102-709-A1	Hex Bolt, 3/4 x 2
5	8	119-8	Plain Washer (Inch)
6	4	118-8-A1	Lock Washer, 3/4"
7	4	116-8-A1	Hex Nut, 3/4 x 2
8	1	PC10394	3/4" Lift Link Snow Plow Push Frame
9	4	PC10392	1" Pin for Push Frame
10	2	PC10746	Lower Pin, Ø1-1/4", with Chain Lug, Push Frame
11	7	125-259	Cotter Pin, 1/4 x 2 1/2
12	2	161-4	Pin, Cotter, Hair, .178 Dia
13	1	W18046	Swing Arm Weldment
14	1	W181282	Weldment, Chassis Bolt-On Push Frame Support
15	1	F181283	Hook, Right, Chassis Bolt-On Push Frame
16	1	F181284	Hook, Left, Chassis Bolt-On Push Frame
17	1	P2G792	3/8" Anchor Shackle



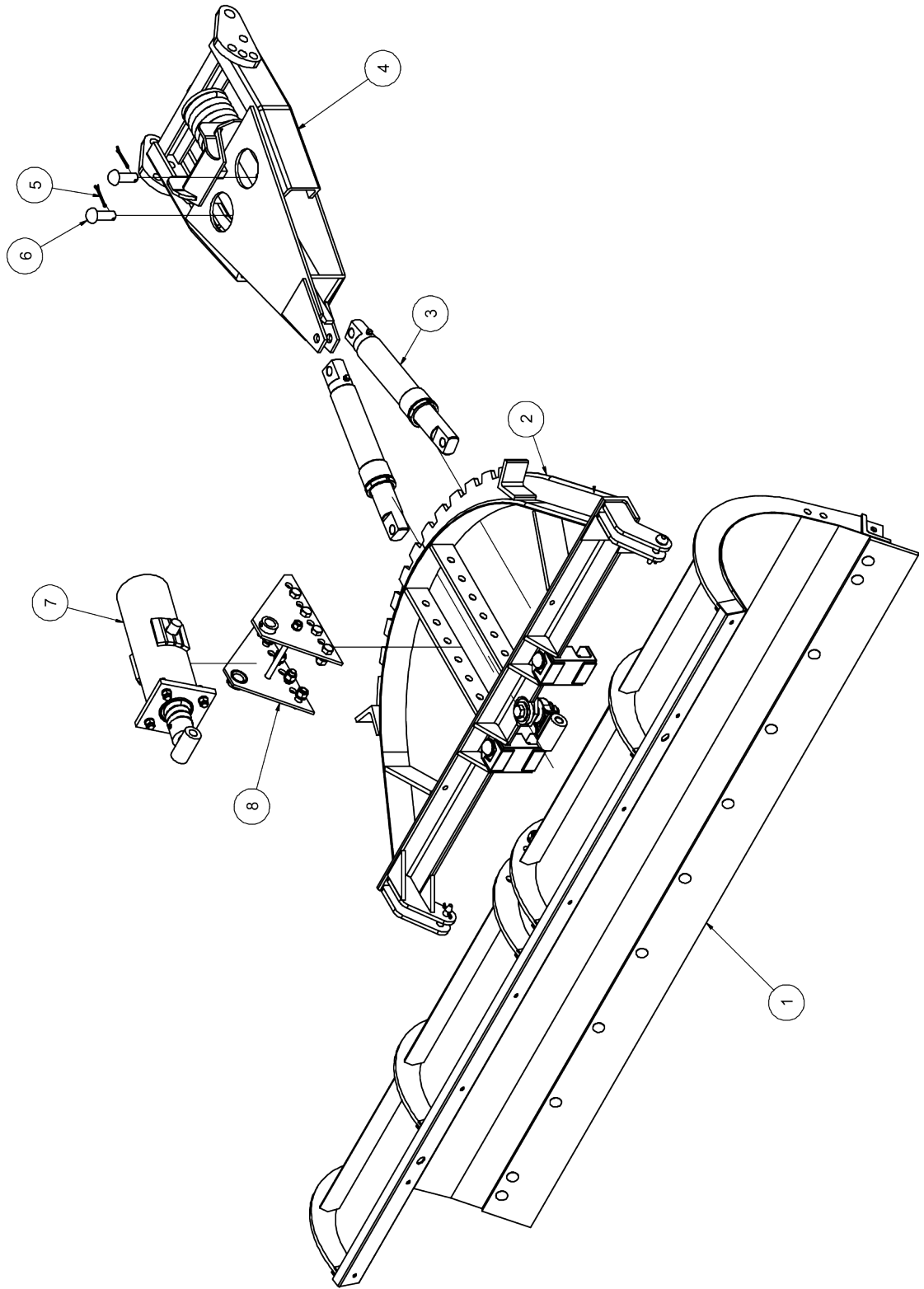
# A181296 (GN200); Push Frame, Narrow Chassis Bolt-On



### A181296 (GN200); Push Frame, Narrow Chassis bolt-on - Parts List

Item	Qty.	Part No.	Description
1	1	W181259	Push Frame; Universal, 23" Uprights
2	1	SM10325	Pin, Swing Arm Push Frame
3	1	W21223	Weldment, Cylinder & Cap - 3-10 DA (ASP-310-DA-90)
4	4	102-709-A1	Hex Bolt, 3/4 x 2
5	8	119-8	Plain Washer (Inch)
6	4	118-8-A1	Lock Washer, 3/4"
7	4	116-8-A1	Hex Nut, 3/4 x 2
8	1	PC10394	3/4" Lift Link Snow Plow Push Frame
9	4	PC10392	1" Pin for Push Frame
10	2	PC10746	Lower Pin, Ø1-1/4", with Chain Lug, Push Frame
11	7	125-259	Cotter Pin, 1/4 x 2 1/2
12	2	161-4	Pin, Cotter, Hair, .178 Dia
13	1	W18046	Swing Arm Weldment
14	1	W181297	Weldment, Narrow Chassis Bolt-On Push Frame Support
15	1	F181283	Hook, Right, Chassis Bolt-On Push Frame
16	1	F181284	Hook, Left, Chassis Bolt-On Push Frame
17	1	P2G792	3/8" Anchor Shackle

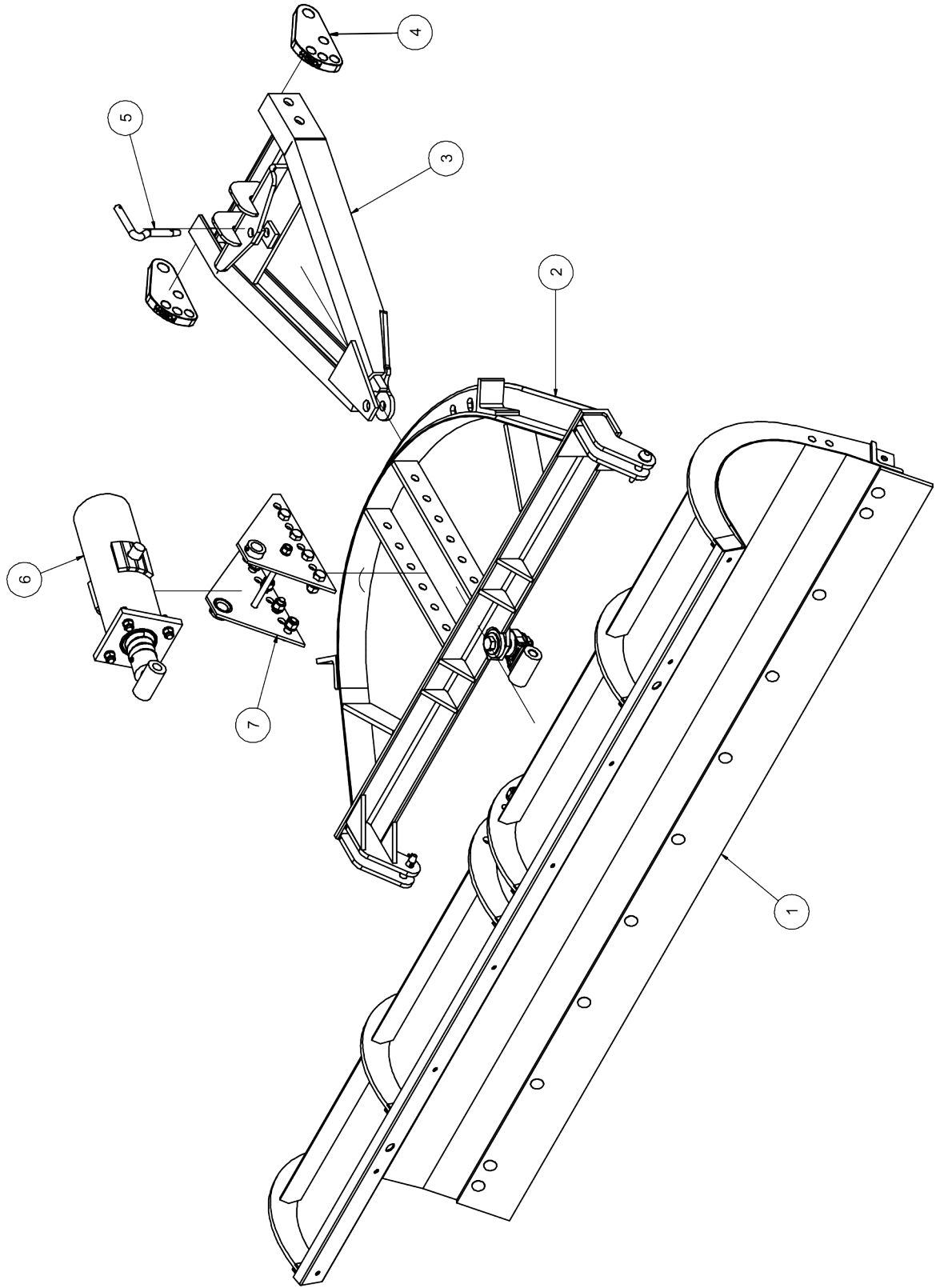
# Snow Plow with Power Reverse Semi-Circle



### A80274; 112M Snow Plow with Power Reverse Semi-Circle - Parts List

Item	Qty.	Part No.	Description
1	1	A80012	9 Foot x 30 Inch 112M Snow Plow
	1	A80005	9 Foot x 36 Inch 112M Snow Plow
2	1	A80273	112M Power Reverse Semi-Circle Assembly
3	2	62105383	2-1/2 Inch Hydraulic Ram Cylinder
4	4	62100728	Push "A" Frame
5	2	125-257	3/16 Inch x 2 Inch Cotter Pin
6	2	P62100214	1 Inch x 3 Inch Button Head Pin
7	1	62100239	Spring Box Assembly
8	1	62100199	Trunnion Assembly - Complete (refer to page 53)

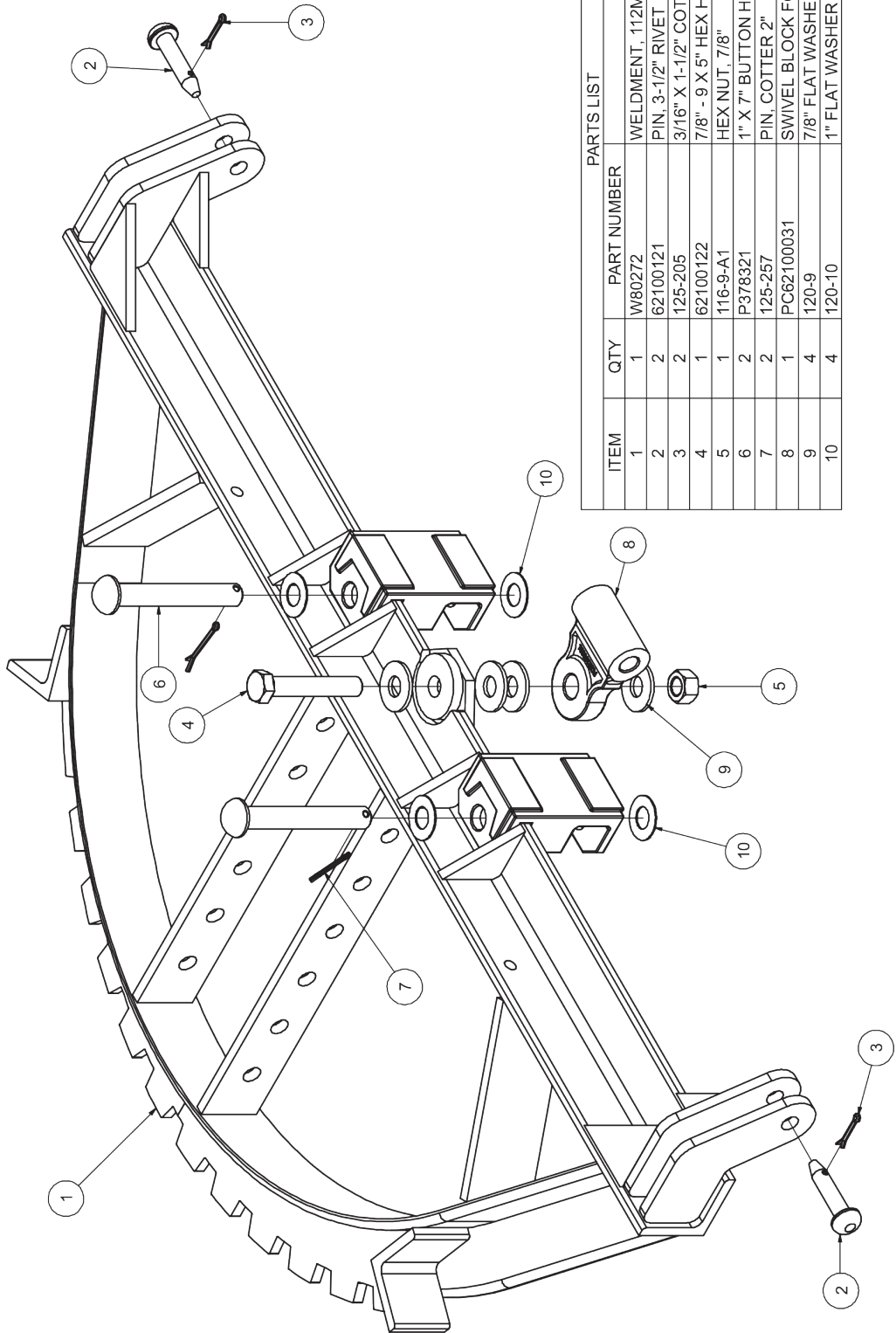
# Snow Plow with Manual Non-locking Semi Circle



### A80271; 112M Snow Plow with Manual/Non-Locking Semi-Circle - Parts List

Item	Qty.	Part No.	Description
1	1	A80012	9 Foot x 30 Inch 112M Snow Plow
	1	A80005	9 Foot x 36 Inch 112M Snow Plow
2	1	62100374	112M Manual/Non-Locking Semi-Circle Assembly
3	1	62105218	Manual Channel Push Frame Weldment
4	4	PC80244	Plate; Hinge (Bear Paw)
5	1	62100163	Latch Pin
6	1	62100239	Spring Box Assembly
7	1	62100199	Trunnion Assembly - Complete (refer to page 53)

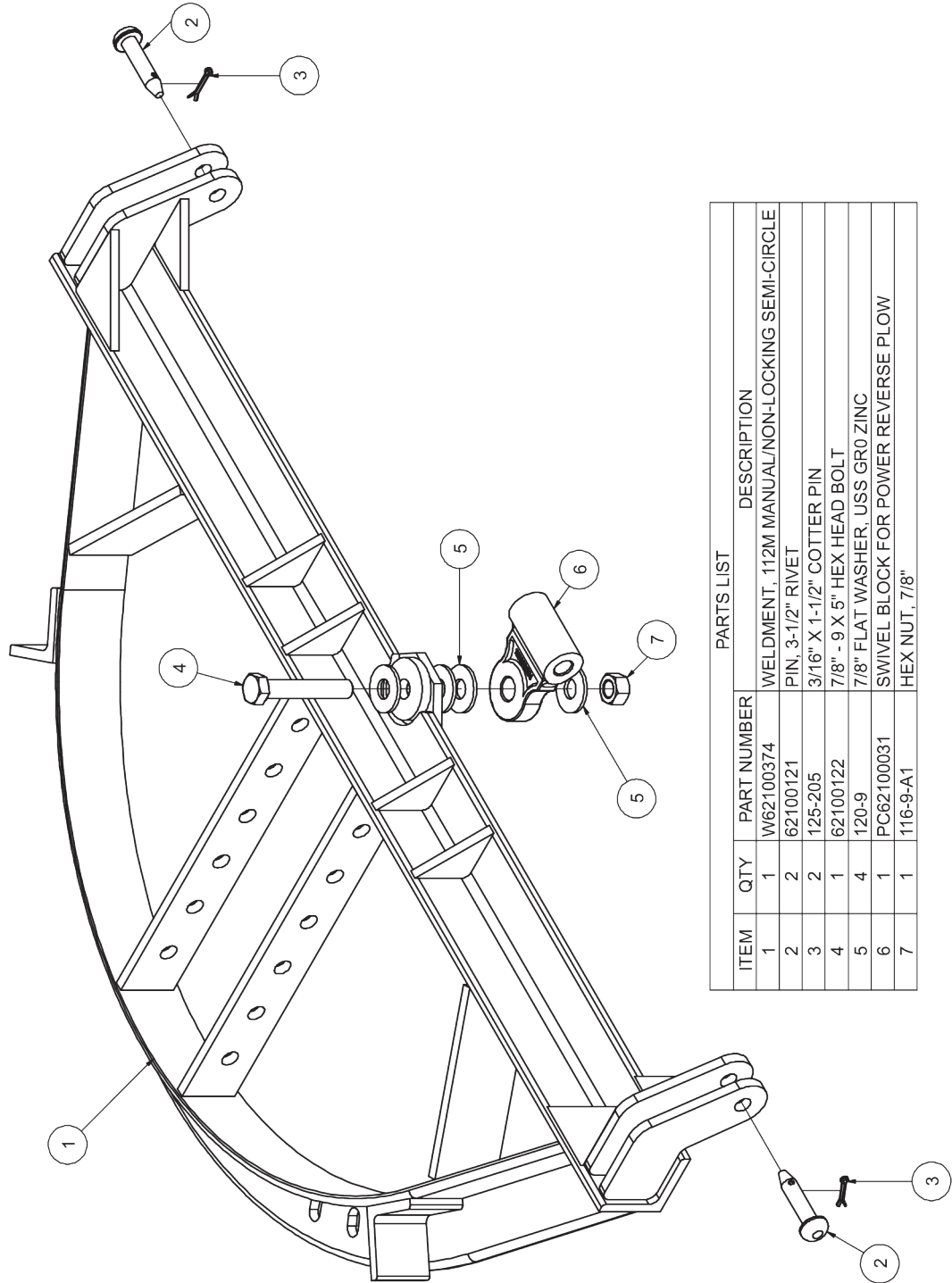
# Power Reverse Semi-Circle



PARTS LIST			
ITEM	QTY	PART NUMBER	DESCRIPTION
1	1	W80272	WELDMNT, 112M POWER REVERSE SEMI-CIRCLE
2	2	62100121	PIN, 3-1/2" RIVET
3	2	125-205	3/16" X 1-1/2" COTTER PIN
4	1	62100122	7/8" - 9 X 5" HEX HEAD BOLT
5	1	116-9-A1	HEX NUT, 7/8"
6	2	P378321	1" X 7" BUTTON HEAD PIN
7	2	125-257	PIN, COTTER 2"
8	1	PC62100031	SWIVEL BLOCK FOR POWER REVERSE FLOW
9	4	120-9	7/8" FLAT WASHER, USS GR0 ZINC
10	4	120-10	1" FLAT WASHER

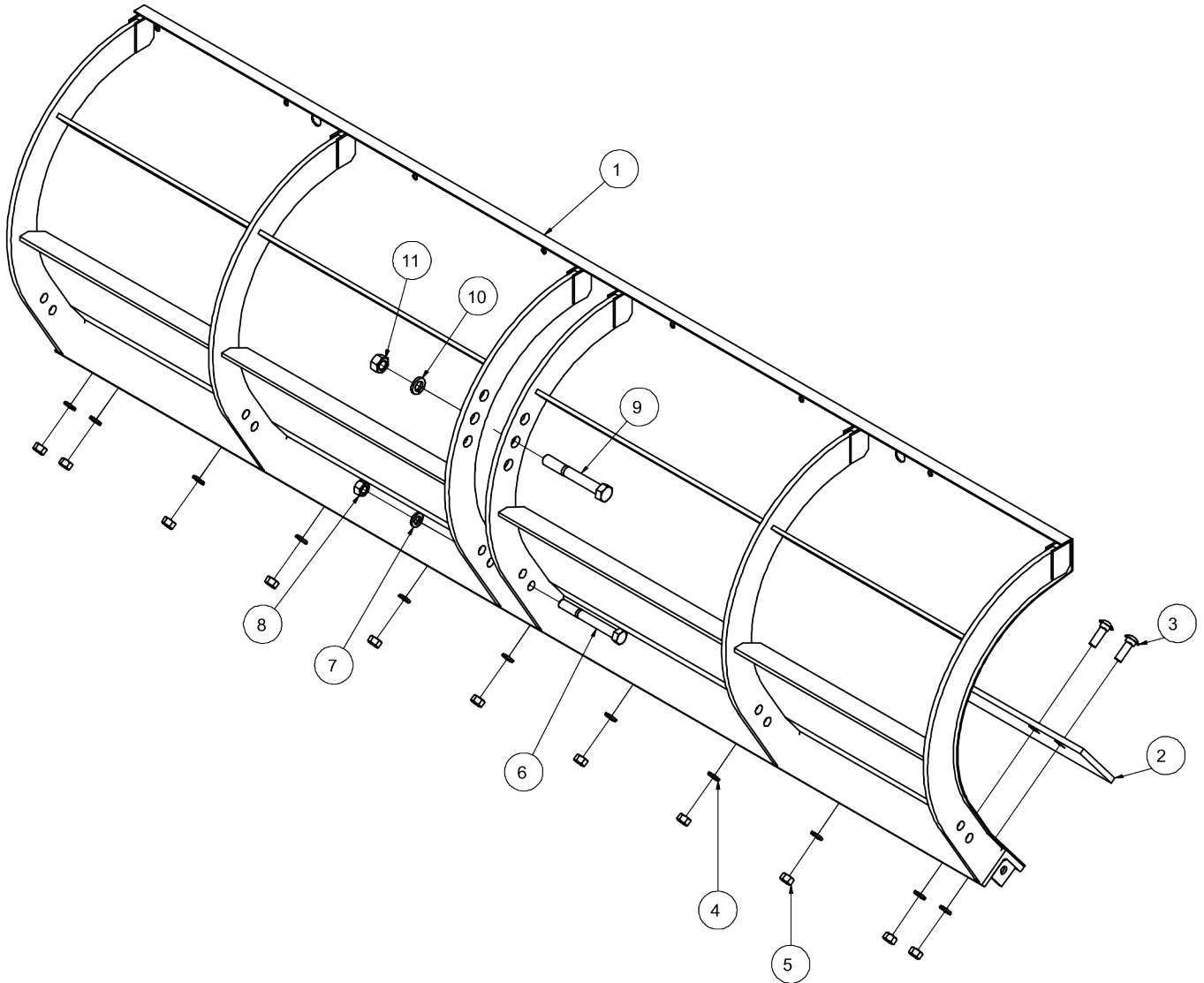


# Manual/Non-Locking Semi-Circle



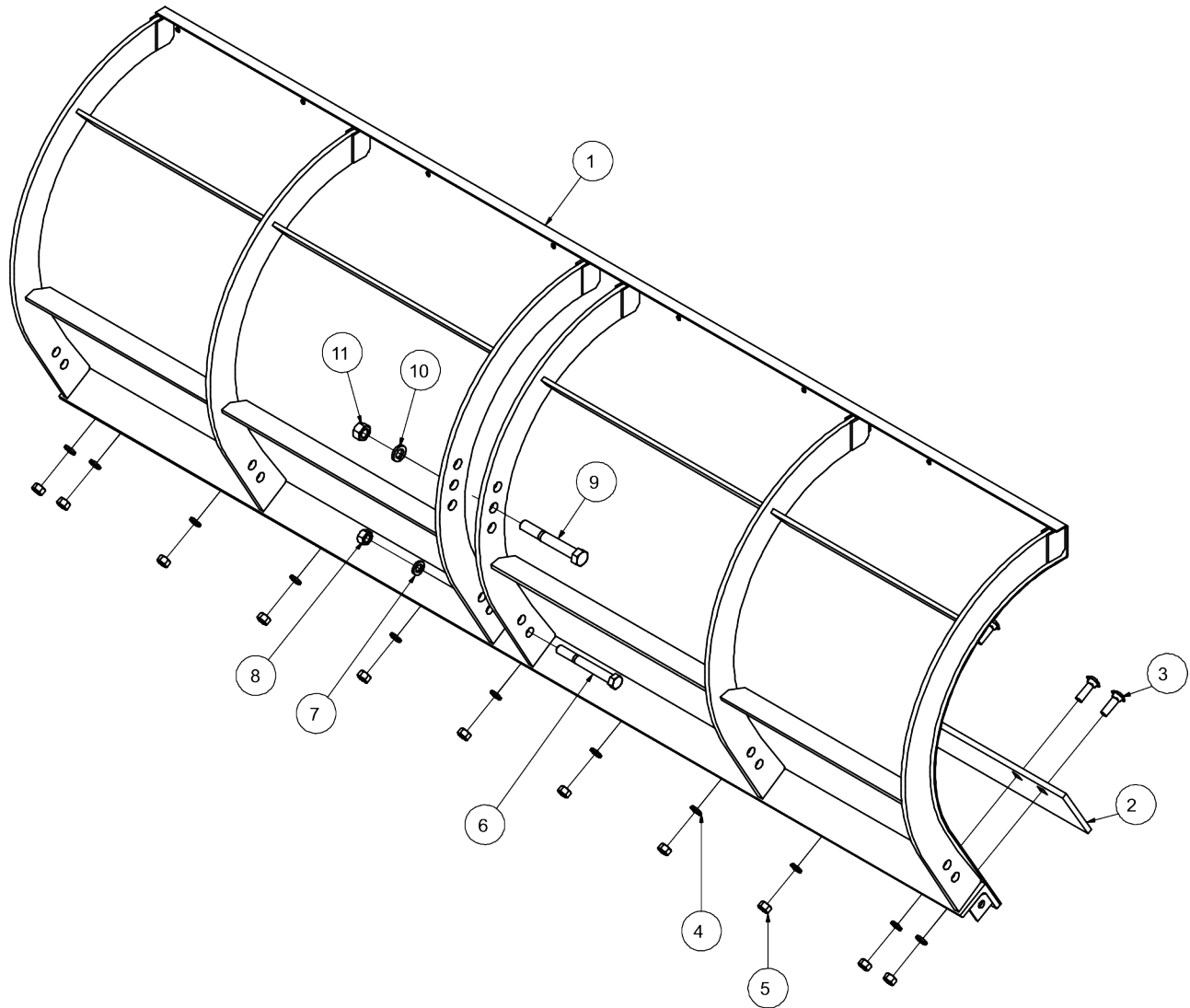
PARTS LIST			
ITEM	QTY	PART NUMBER	DESCRIPTION
1	1	W62100374	WELDMENT, 112M MANUAL/NON-LOCKING SEMI-CIRCLE
2	2	62100121	PIN, 3-1/2" RIVET
3	2	125-205	3/16" X 1-1/2" COTTER PIN
4	1	62100122	7/8" - 9 X 5" HEX HEAD BOLT
5	4	120-9	7/8" FLAT WASHER, USS GR0 ZINC
6	1	PC62100031	SWIVEL BLOCK FOR POWER REVERSE PLOW
7	1	116-9-A1	HEX NUT, 7/8"

# A80012; 9' x 30" 112M Snow Plow



PARTS LIST			
ITEM	QTY	PART NUMBER	DESCRIPTION
1	1	W80129	ASSEMBLY, 9' X 30" 112M SNOW PLOW
2	1	62107500	9' SNOW PLOW CUTTING EDGE
3	11	106-6092-A1	5/8" -11 X 2" CARRIAGE BOLT
4	11	118-7-A1	5/8" Lock Washer
5	11	116-7-A1	HEX NUT, 5/8" UNC
6	1	102-727-A1	3/4" - 10 X 6-1/2" HEX HEAD BOLT
7	1	118-8-A1	LOCK WASHER, 3/4"
8	1	116-8-A1	HEX NUT, 3/4"
9	1	102-827-A1	7/8" -9 X 6-1/2" HEX HEAD BOLT
10	1	118-9	7/8" LOCK WASHER
11	1	116-9-A1	HEX NUT, 7/8"

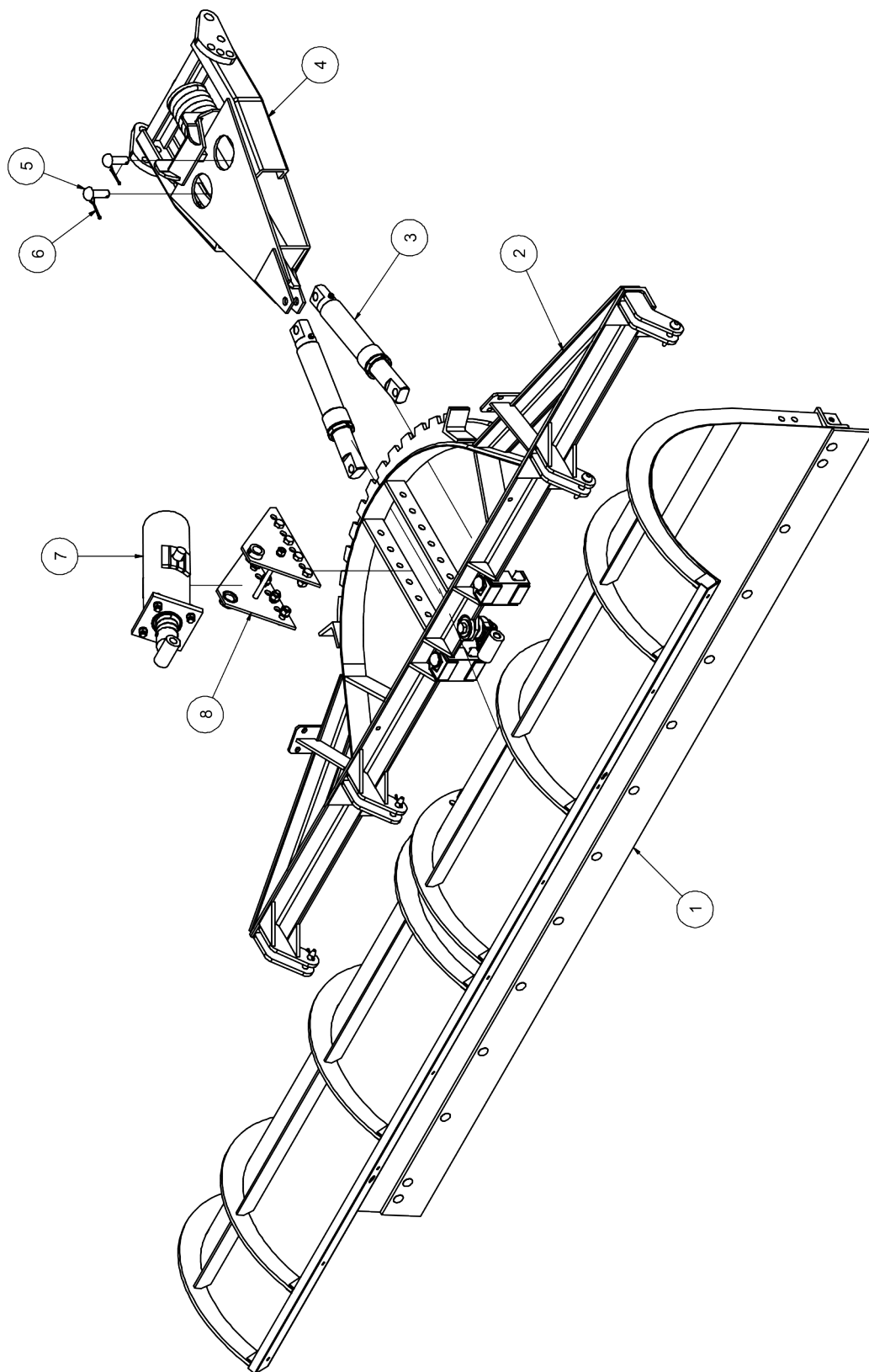
# A80005; 9' x 36" 112M Snow Plow



## PARTS LIST

ITEM	QTY	PART NUMBER	DESCRIPTION
1	1	W80128	WELDMENT, 9' X 36" 112M SNOW PLOW
2	1	62107500	9' SNOW PLOW CUTTING EDGE
3	11	106-6092-A1	5/8" -11 X 2" CARRIAGE BOLT
4	11	118-7-A1	5/8" Lock Washer
5	11	116-7-A1	HEX NUT, 5/8" UNC
6	1	102-727-A1	3/4" - 10 X 6-1/2" HEX HEAD BOLT
7	1	118-8-A1	LOCK WASHER, 3/4"
8	1	116-8-A1	HEX NUT, 3/4"
9	1	102-827-A1	7/8" -9 X 6-1/2" HEX HEAD BOLT
10	1	118-9	7/8" LOCK WASHER
11	1	116-9-A1	HEX NUT, 7/8"

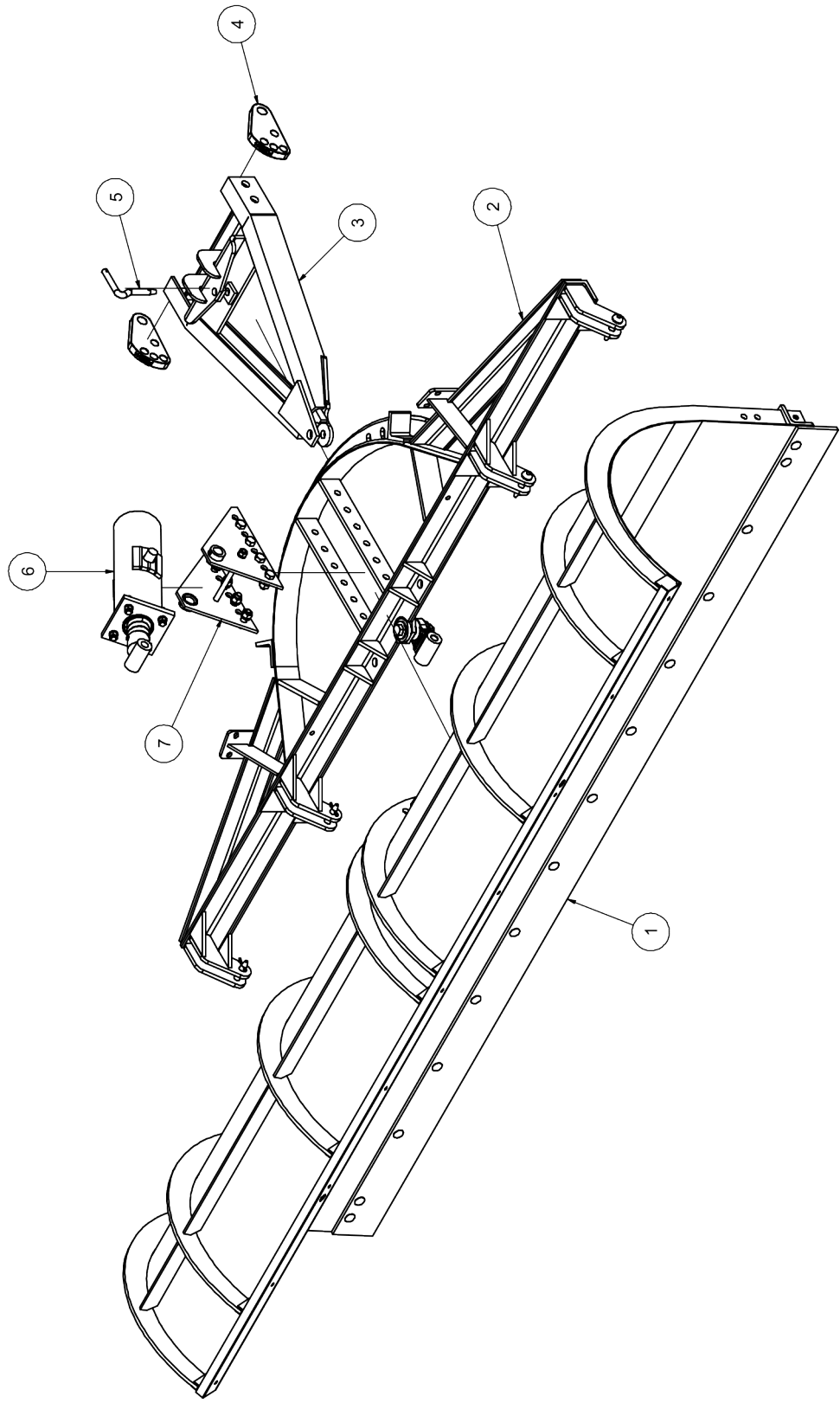
# Snow Plow with Power Reverse Semi-Circle



### A80268; 120M Snow Plow with Power Reverse Semi-Circle - Parts List

Item	Qty.	Part No.	Description
1	1	62105755	10 Foot x 30 Inch 120M Snow Plow
	1	62105765	10 Foot x 36 Inch 120M Snow Plow
	1	62105770	10 Foot x 42 Inch 120M Snow Plow
	1	A80010	11 Foot x 30 Inch 120M Snow Plow
	1	62105773	11 Foot x 36 Inch 120M Snow Plow
	1	62105829	11 Foot x 42 Inch 120M Snow Plow
	1	A80177	11 Foot x 48 Inch 120M Snow Plow
	1	A80011	12 Foot x 30 Inch 120M Snow Plow
	1	62107039	12 Foot x 36 Inch 120M Snow Plow
	1	62105830	12 Foot x 42 Inch 120M Snow Plow
	1	A80151	12 Foot x 48 Inch 120M Snow Plow
2	1	A80133	Power Reverse Semi-Circle Assembly
3	2	62100383	2-1/2" Hydraulic Ram Cylinder
4	1	62100728	Push "A" Frame
5	2	P62100214	1" x 3" Button Head Pin
6	2	125-257	3/16" x 2" Cotter Pin
7	1	62100239	Spring Box Assembly
8	1	62100199	Trunnion Assembly - Complete (refer to page 53)

# Snow Plow with Manual Non-Locking Semi-Circle

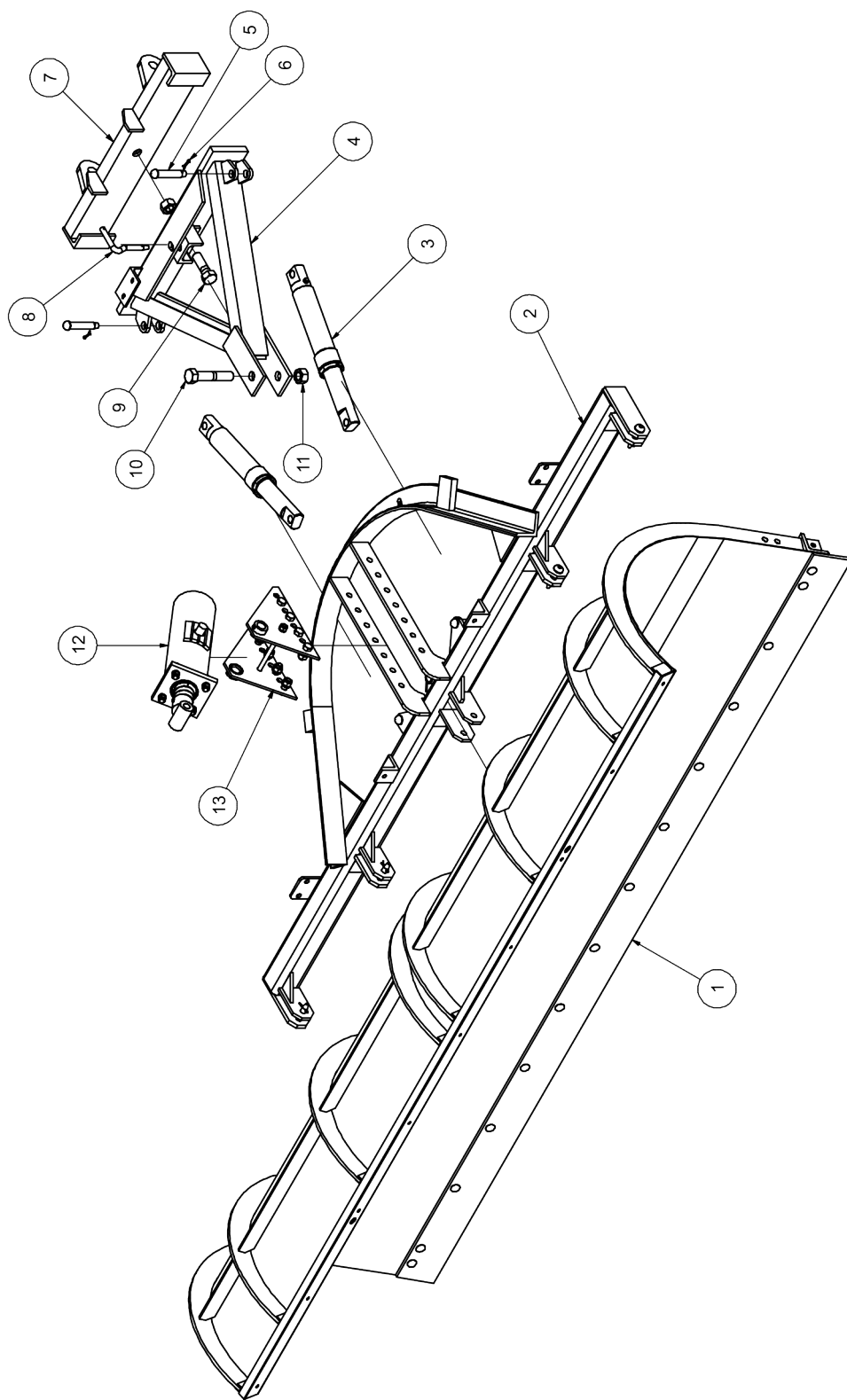


### A80269; 120M Snow Plow with Manual/Non-Locking Semi-Circle - Parts List

Item	Qty.	Part No.	Description
	1	62105755	10 Foot x 30 Inch 120M Snow Plow
	1	62105765	10 Foot x 36 Inch 120M Snow Plow
	1	62105770	10 Foot x 42 Inch 120M Snow Plow
	1	A80010	11 Foot x 30 Inch 120M Snow Plow
	1	62105773	11 Foot x 36 Inch 120M Snow Plow
	1	62105829	11 Foot x 42 Inch 120M Snow Plow
	1	A80177	11 Foot x 48 Inch 120M Snow Plow
	1	A80011	12 Foot x 30 Inch 120M Snow Plow
	1	62107039	12 Foot x 36 Inch 120M Snow Plow
	1	62105830	12 Foot x 42 Inch 120M Snow Plow
	1	A80151	12 Foot x 48 Inch 120M Snow Plow
2	1	62100625	Manual/Non-Locking Semi-Circle Assembly
3	1	62105218	Manual Channel Push Frame Weldment
4	2	PC80244	Plate: Hinge (Bear Paw)
5	1	62100163	Latch Pin
6	1	62100239	Spring Box Assembly
7	1	62100199	Trunnion Assembly - Complete (refer to page 53)



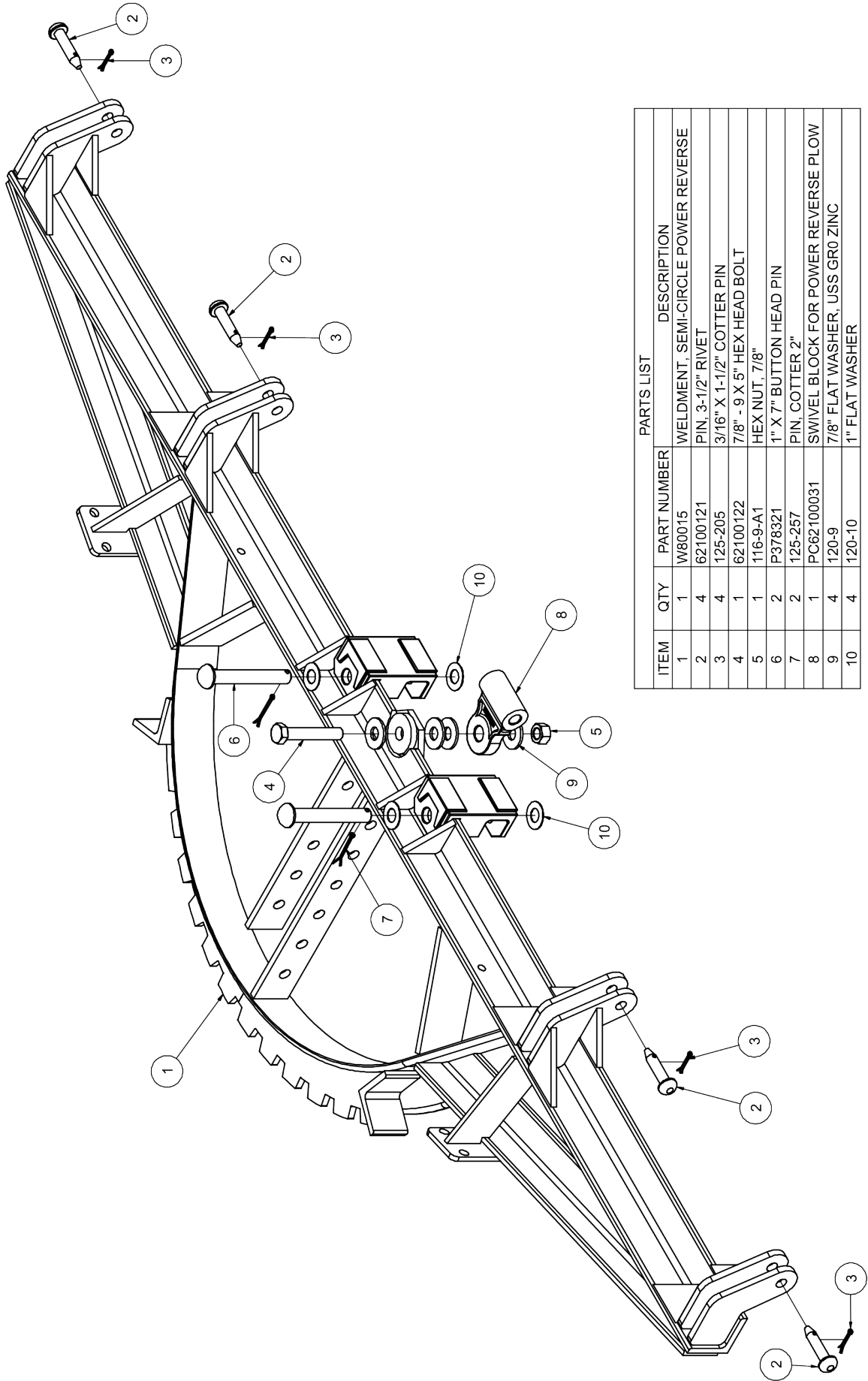
# Snow Plow with Double Acting Non-Locking Power Reverse Semi-Circle



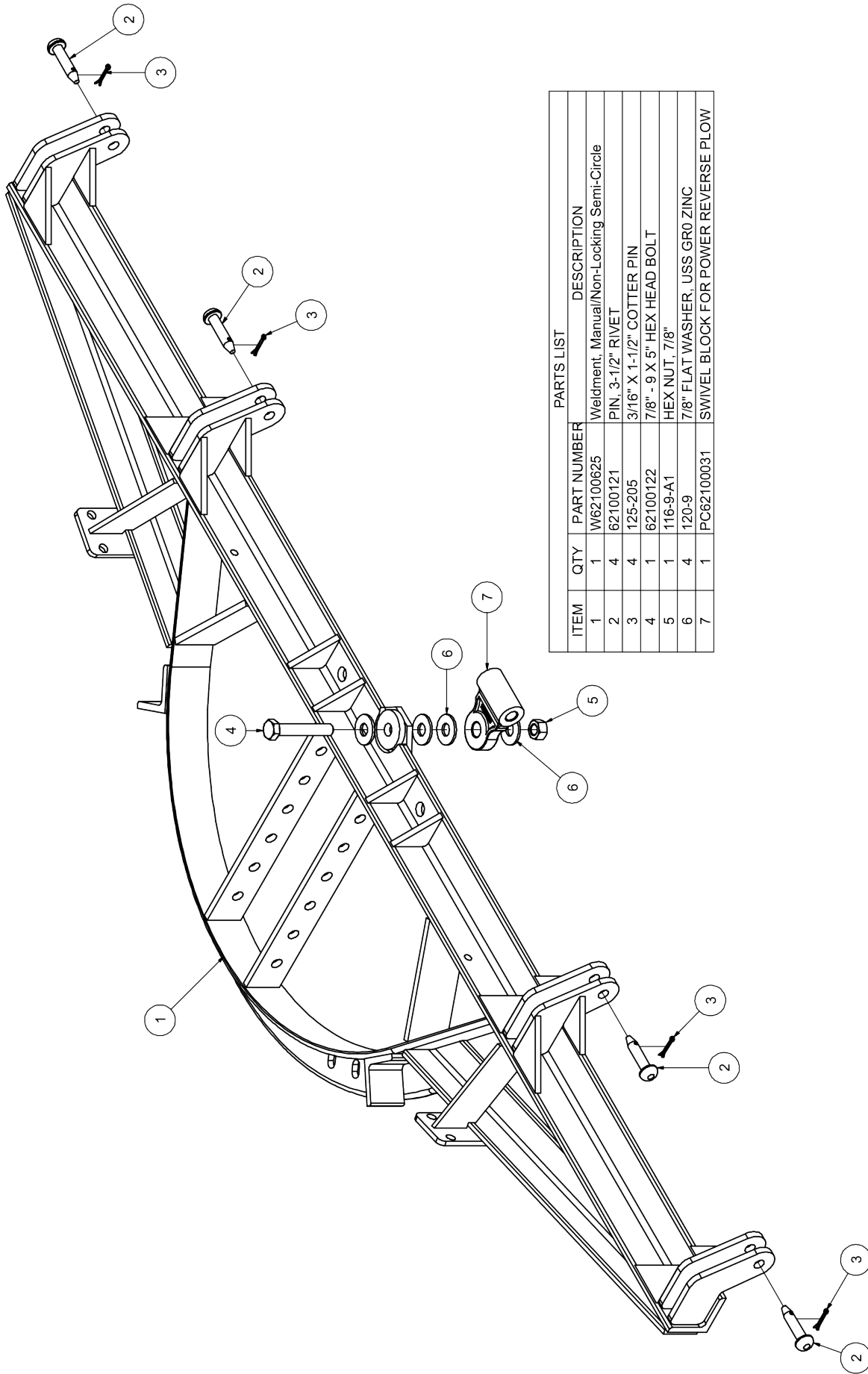
**A80270; 120M Snow Plow with Double Acting  
Non-Locking, Power Reverse Semi-Circle - Parts List**

<b>Item</b>	<b>Qty.</b>	<b>Part No.</b>	<b>Description</b>
1	1	62105755	10 Foot x 30 Inch 120M Snow Plow
	1	62105765	10 Foot x 36 Inch 120M Snow Plow
	1	62105770	10 Foot x 42 Inch 120M Snow Plow
	1	A80010	11 Foot x 30 Inch 120M Snow Plow
	1	62105773	11 Foot x 36 Inch 120M Snow Plow
	1	62105829	11 Foot x 42 Inch 120M Snow Plow
	1	A80177	11 Foot x 48 Inch 120M Snow Plow
	1	A80011	12 Foot x 30 Inch 120M Snow Plow
	1	62107039	12 Foot x 36 Inch 120M Snow Plow
	1	62105830	12 Foot x 42 Inch 120M Snow Plow
	1	A80151	12 Foot x 48 Inch 120M Snow Plow
2	1	62107698	120M Double Acting Semi-Circle Assembly
3	2	62100383	2-1/2 Inch Hydraulic Ram Cylinder
4	1	62107627	"A" Frame Assembly
5	2	PC10392	1 Inch Pin for Push Frame
6	2	125-255	1/4 Inch x 1/1/2 Inch Cotter Pin
7	1	62105876-DA	Weldment, 34 Inch Road Contour Kit
8	1	62100163	Latch Pin
9	1	103-117-A1	Hex Head, 1-1/4 Inch x 4 Inch Long
10	1	103-127-A1	Hex Head, 1-1/4 Inch x 6-1/2 Inch Long
11	2	116-12-A1	Hex Nut, 1-1/4 Inch
12	1	62100239	Spring Box Assembly
13	1	62100199	Trunnion Assembly - Complete (refer to page 53)

# Manual/Non-Locking Semi-Circle

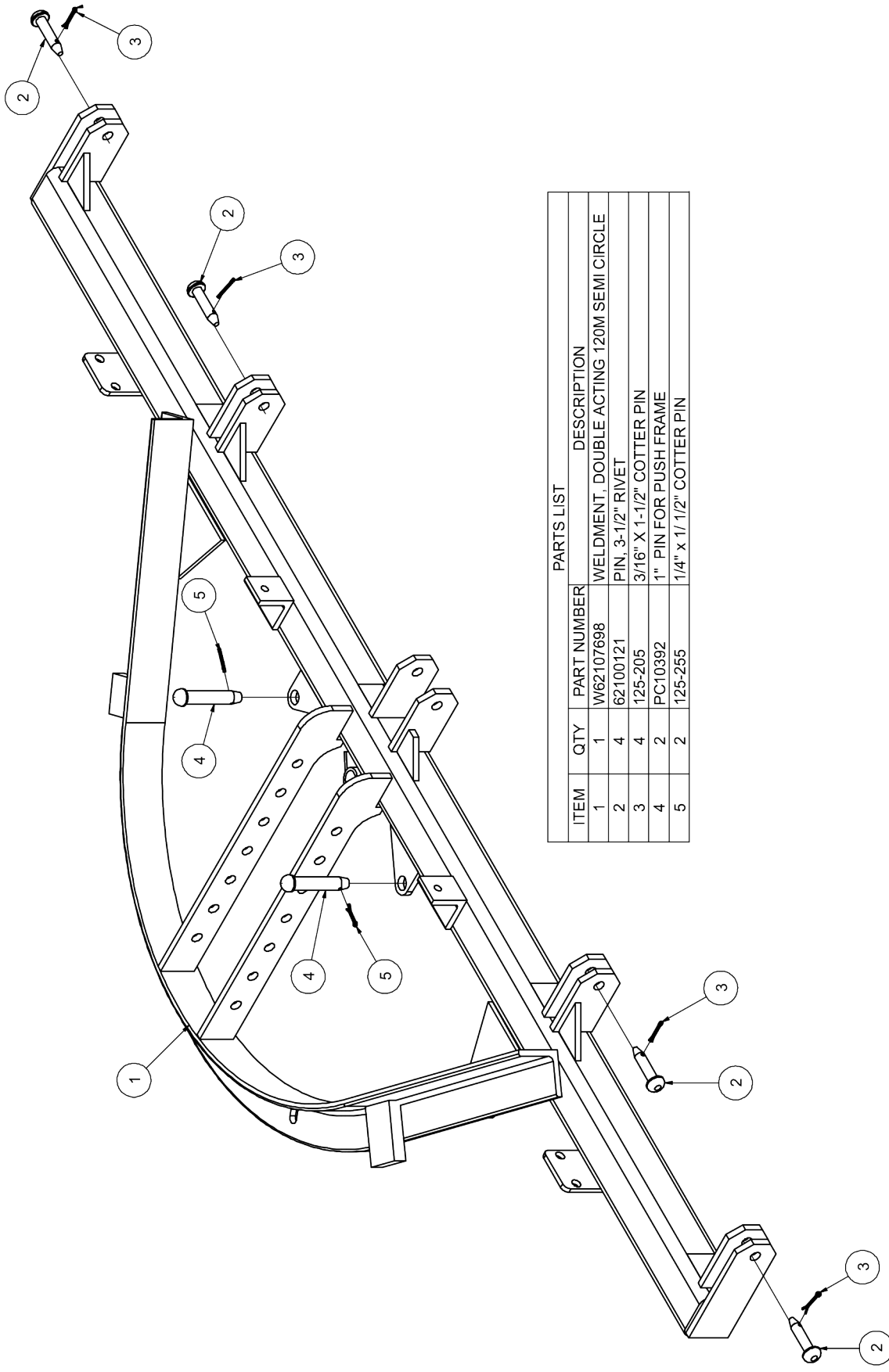


PARTS LIST			DESCRIPTION
ITEM	QTY	PART NUMBER	
1	1	W80015	WELDMENT, SEMI-CIRCLE POWER REVERSE
2	4	62100121	PIN, 3-1/2" RIVET
3	4	125-205	3/16" X 1-1/2" COTTER PIN
4	1	62100122	7/8" - 9 X 5" HEX HEAD BOLT
5	1	116-9-A1	HEX NUT, 7/8"
6	2	P378321	1" X 7" BUTTON HEAD PIN
7	2	125-257	PIN, COTTER 2"
8	1	PC62100031	SWIVEL BLOCK FOR POWER REVERSE PLOW
9	4	120-9	7/8" FLAT WASHER, USS GR0 ZINC
10	4	120-10	1" FLAT WASHER



PARTS LIST			
ITEM	QTY	PART NUMBER	DESCRIPTION
1	1	W62100625	Weldment, Manual/Non-Locking Semi-Circle
2	4	62100121	PIN, 3-1/2" RIVET
3	4	125-205	3/16" X 1-1/2" COTTER PIN
4	1	62100122	7/8" - 9 X 5" HEX HEAD BOLT
5	1	116-9-A1	HEX NUT, 7/8"
6	4	120-9	7/8" FLAT WASHER, USS GR0 ZINC
7	1	PC62100031	SWIVEL BLOCK FOR POWER REVERSE PLOW

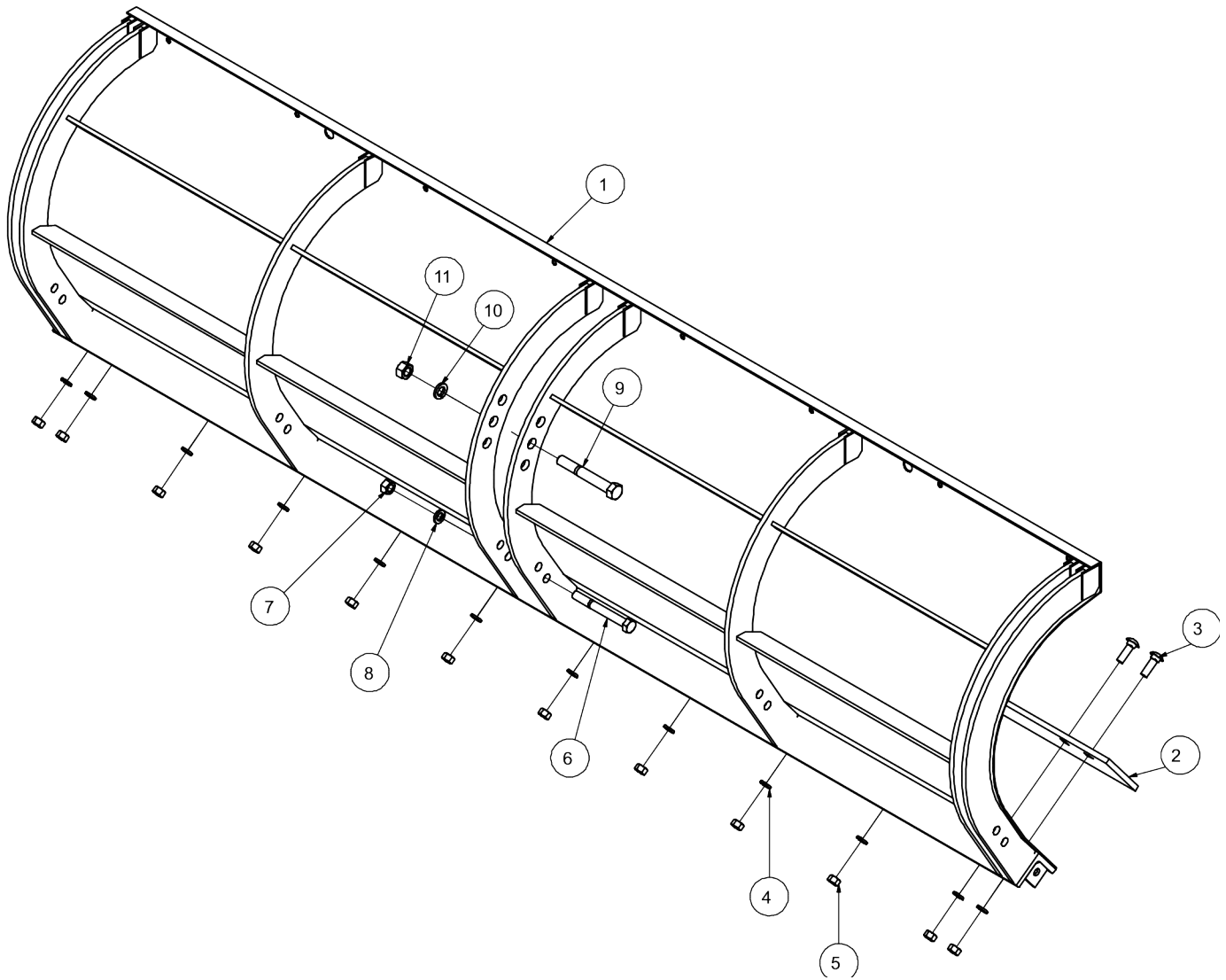
# 62100625; 120M Manual/Non-Locking Semi-Circle



PARTS LIST			DESCRIPTION
ITEM	QTY	PART NUMBER	
1	1	W62107698	WELDMENT, DOUBLE ACTING 120M SEMI CIRCLE
2	4	62100121	PIN, 3-1/2" RIVET
3	4	125-205	3/16" X 1-1/2" COTTER PIN
4	2	PC10392	1" PIN FOR PUSH FRAME
5	2	125-255	1/4" x 1/ 1/2" COTTER PIN

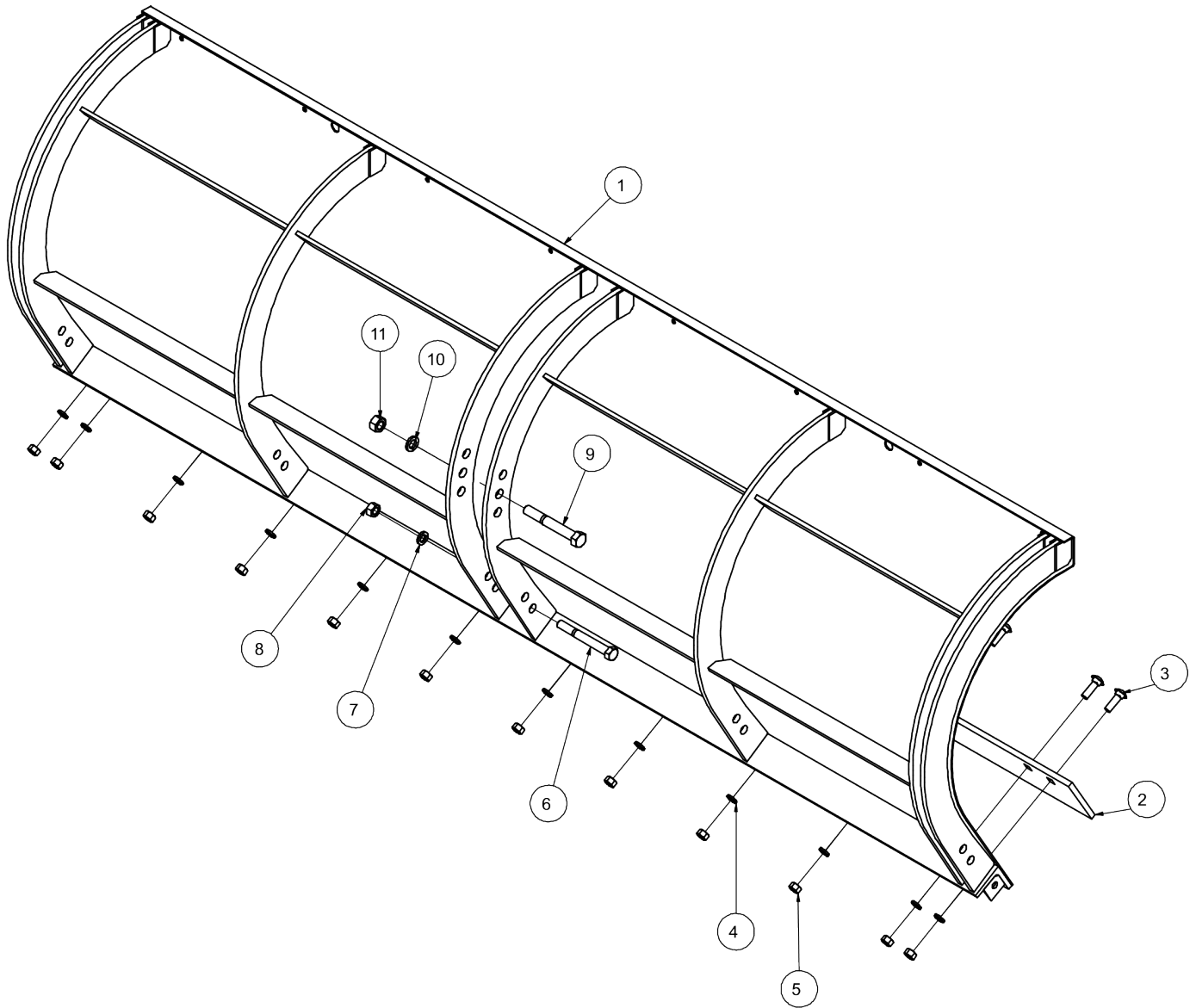
# 62107698; 120M Double Acting Semi-Circle

# 62105755; 10' x 30" 120M Snow Plow



PARTS LIST			
ITEM	QTY	PART NUMBER	DESCRIPTION
1	1	W62105755	WELDMENT, 10' X 30" 120M SNOW PLOW
2	1	62100408	10' SNOW PLOW CUTTING EDGE
3	12	106-6092-A1	5/8" -11 X 2" CARRIAGE BOLT
4	12	118-7-A1	5/8" Lock Washer
5	12	116-7-A1	HEX NUT, 5/8" UNC
6	1	102-727-A1	3/4" - 10 X 6-1/2" HEX HEAD BOLT
7	1	116-8-A1	HEX NUT, 3/4"
8	1	118-8-A1	LOCK WASHER, 3/4"
9	1	102-827-A1	7/8" -9 X 6-1/2" HEX HEAD BOLT
10	1	118-9	7/8" LOCK WASHER
11	1	116-9-A1	HEX NUT, 7/8"

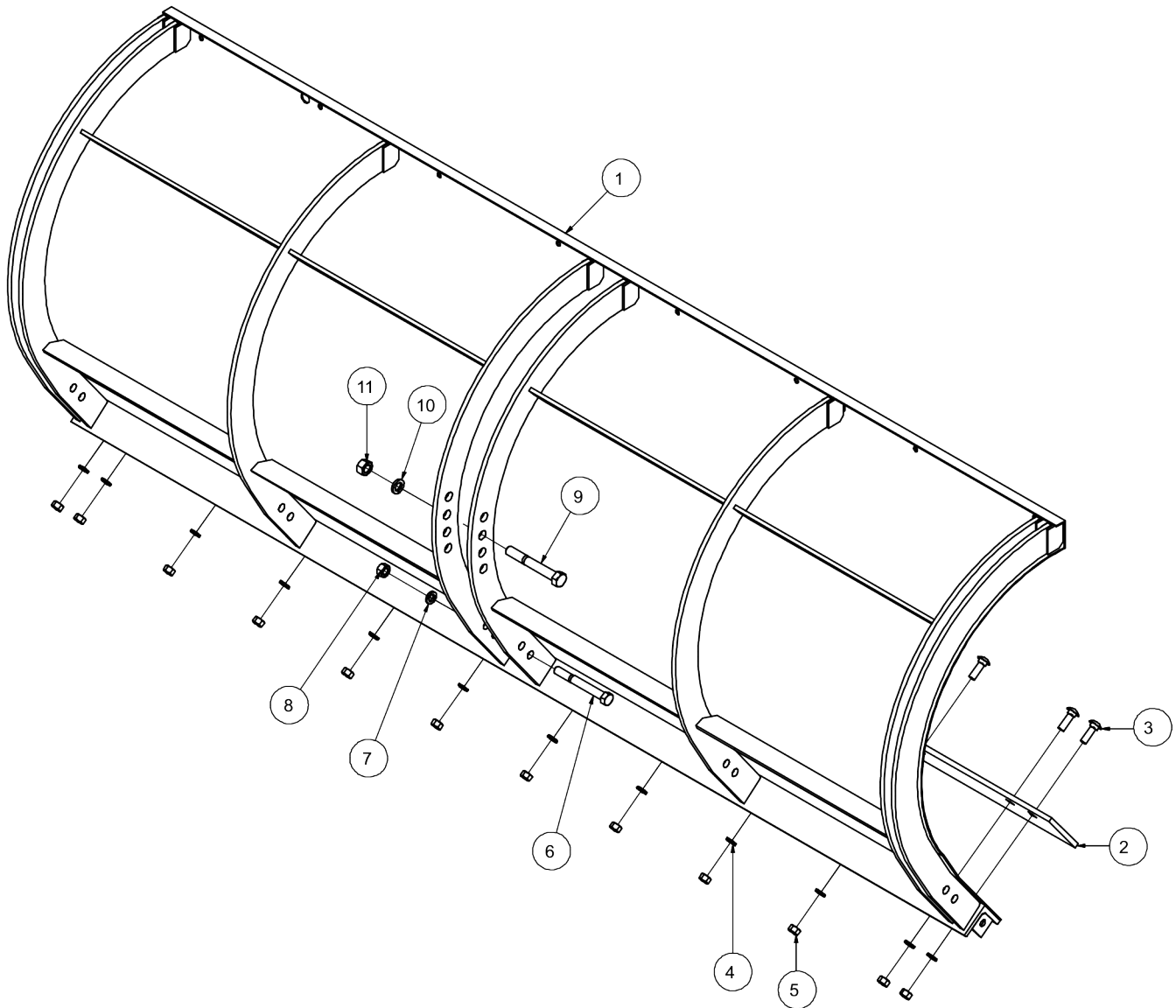
# 62105765; 10' x 36" 120M Snow Plow



PARTS LIST			
ITEM	QTY	PART NUMBER	DESCRIPTION
1	1	W62105765	WELDMENT; 10' X 36" 120M SNOW PLOW
2	1	62100408	10' SNOW PLOW CUTTING EDGE
3	12	106-6092-A1	5/8" -11 X 2" CARRIAGE BOLT
4	12	118-7-A1	5/8" Lock Washer
5	12	116-7-A1	HEX NUT, 5/8" UNC
6	1	102-727-A1	3/4" - 10 X 6-1/2" HEX HEAD BOLT
7	1	118-8-A1	LOCK WASHER, 3/4"
8	1	116-8-A1	HEX NUT, 3/4"
9	1	102-827-A1	7/8" -9 X 6-1/2" HEX HEAD BOLT
10	1	118-9	7/8" LOCK WASHER
11	1	116-9-A1	HEX NUT, 7/8"

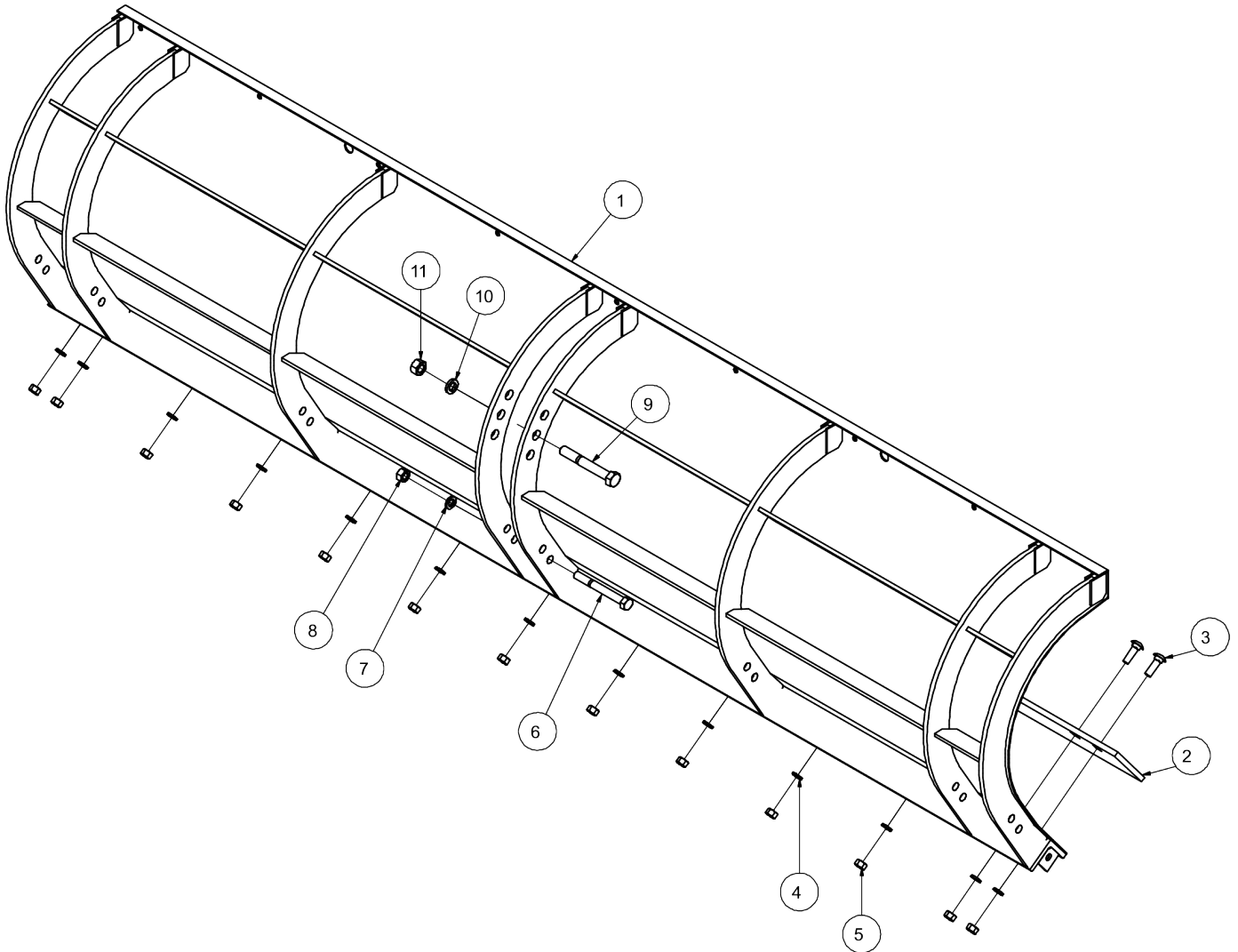


# 62105770; 10' x 42" 120M Snow Plow



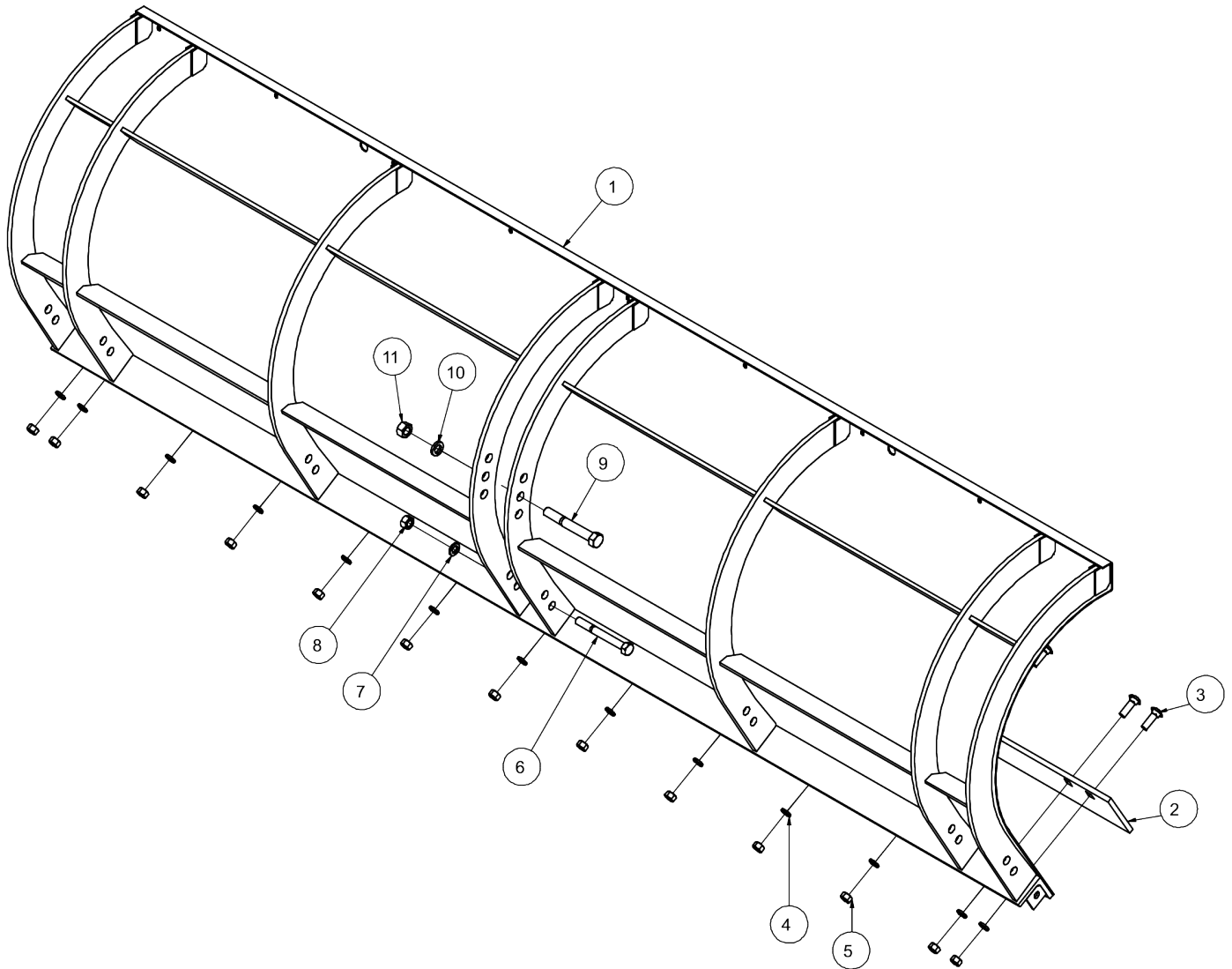
PARTS LIST			
ITEM	QTY	PART NUMBER	DESCRIPTION
1	1	W62105770	ASSEMBLY, 10' X 42" 120M SNOW PLOW
2	1	62100408	10' SNOW PLOW CUTTING EDGE
3	12	106-6092-A1	5/8" -11 X 2" CARRIAGE BOLT
4	12	118-7-A1	5/8" Lock Washer
5	12	116-7-A1	HEX NUT, 5/8" UNC
6	1	102-727-A1	3/4" - 10 X 6-1/2" HEX HEAD BOLT
7	1	118-8-A1	LOCK WASHER, 3/4"
8	1	116-8-A1	HEX NUT, 3/4"
9	1	102-827-A1	7/8" -9 X 6-1/2" HEX HEAD BOLT
10	1	118-9	7/8" LOCK WASHER
11	1	116-9-A1	HEX NUT, 7/8"

# A80010; 11' x 30" 120M Snow Plow



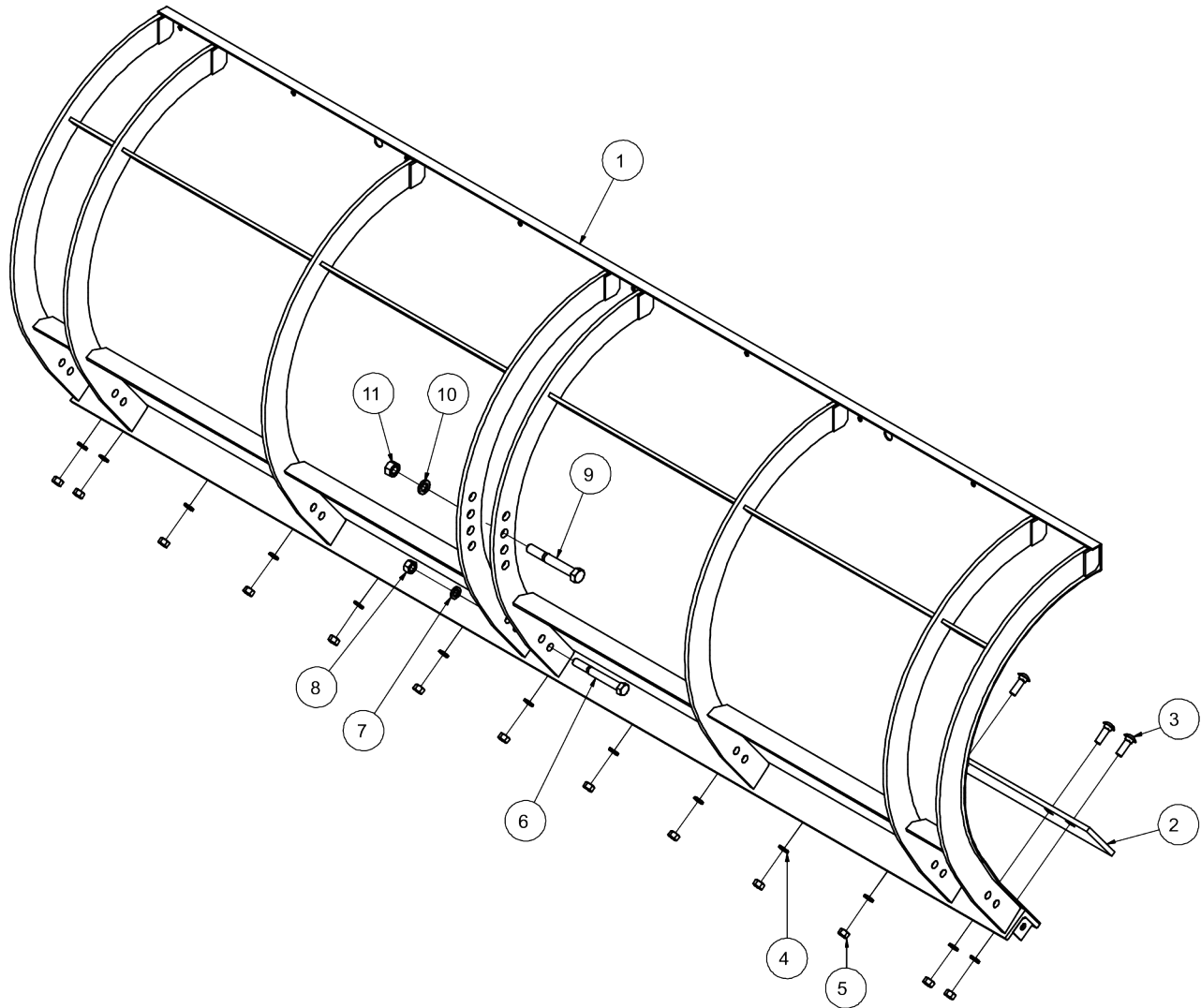
PARTS LIST			
ITEM	QTY	PART NUMBER	DESCRIPTION
1	1	W80130	ASSEMBLY, 11' X 30" 120M SNOW PLOW
2	1	62105287	11' SNOW PLOW CUTTING EDGE
3	13	106-6092-A1	5/8" -11 X 2" CARRIAGE BOLT
4	13	118-7-A1	5/8" Lock Washer
5	13	116-7-A1	HEX NUT, 5/8" UNC
6	1	102-727-A1	3/4" - 10 X 6-1/2" HEX HEAD BOLT
7	1	118-8-A1	LOCK WASHER, 3/4"
8	1	116-8-A1	HEX NUT, 3/4"
9	1	102-827-A1	7/8" -9 X 6-1/2" HEX HEAD BOLT
10	1	118-9	7/8" LOCK WASHER
11	1	116-9-A1	HEX NUT, 7/8"

# 62105773; 11' x 36" 120M Snow Plow



PARTS LIST			
ITEM	QTY	PART NUMBER	DESCRIPTION
1	1	W62105773	WELDMENT, 11' X 36" 120M SNOW PLOW
2	1	62105287	11' SNOW PLOW CUTTING EDGE
3	13	106-6092-A1	5/8" -11 X 2" CARRIAGE BOLT
4	13	118-7-A1	5/8" Lock Washer
5	13	116-7-A1	HEX NUT, 5/8" UNC
6	1	102-727-A1	3/4" - 10 X 6-1/2" HEX HEAD BOLT
7	1	118-8-A1	LOCK WASHER, 3/4"
8	1	116-8-A1	HEX NUT, 3/4"
9	1	102-827-A1	7/8" -9 X 6-1/2" HEX HEAD BOLT
10	1	118-9	7/8" LOCK WASHER
11	1	116-9-A1	HEX NUT, 7/8"

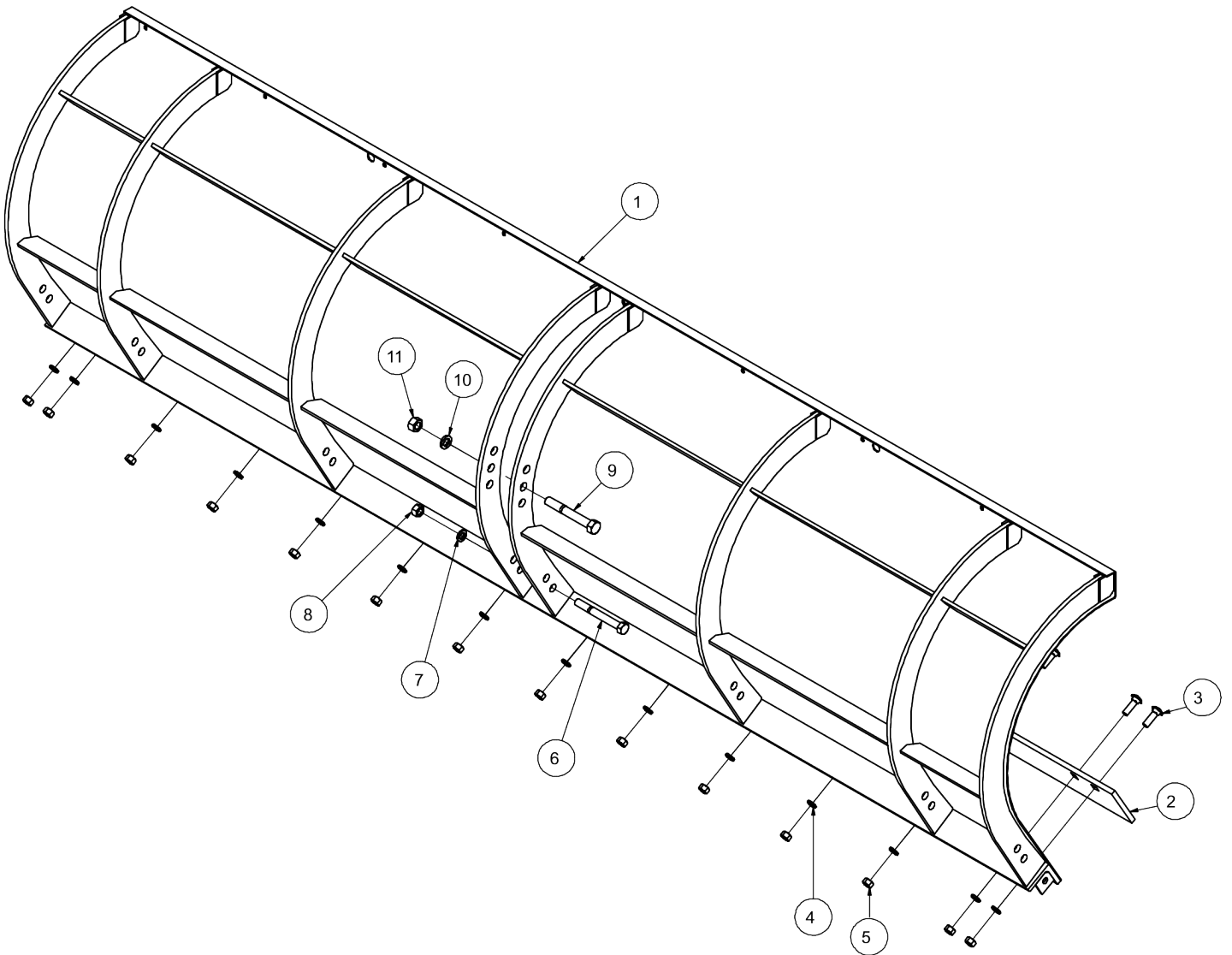
# 62105829; 11' x 42" 120M Snow Plow



PARTS LIST

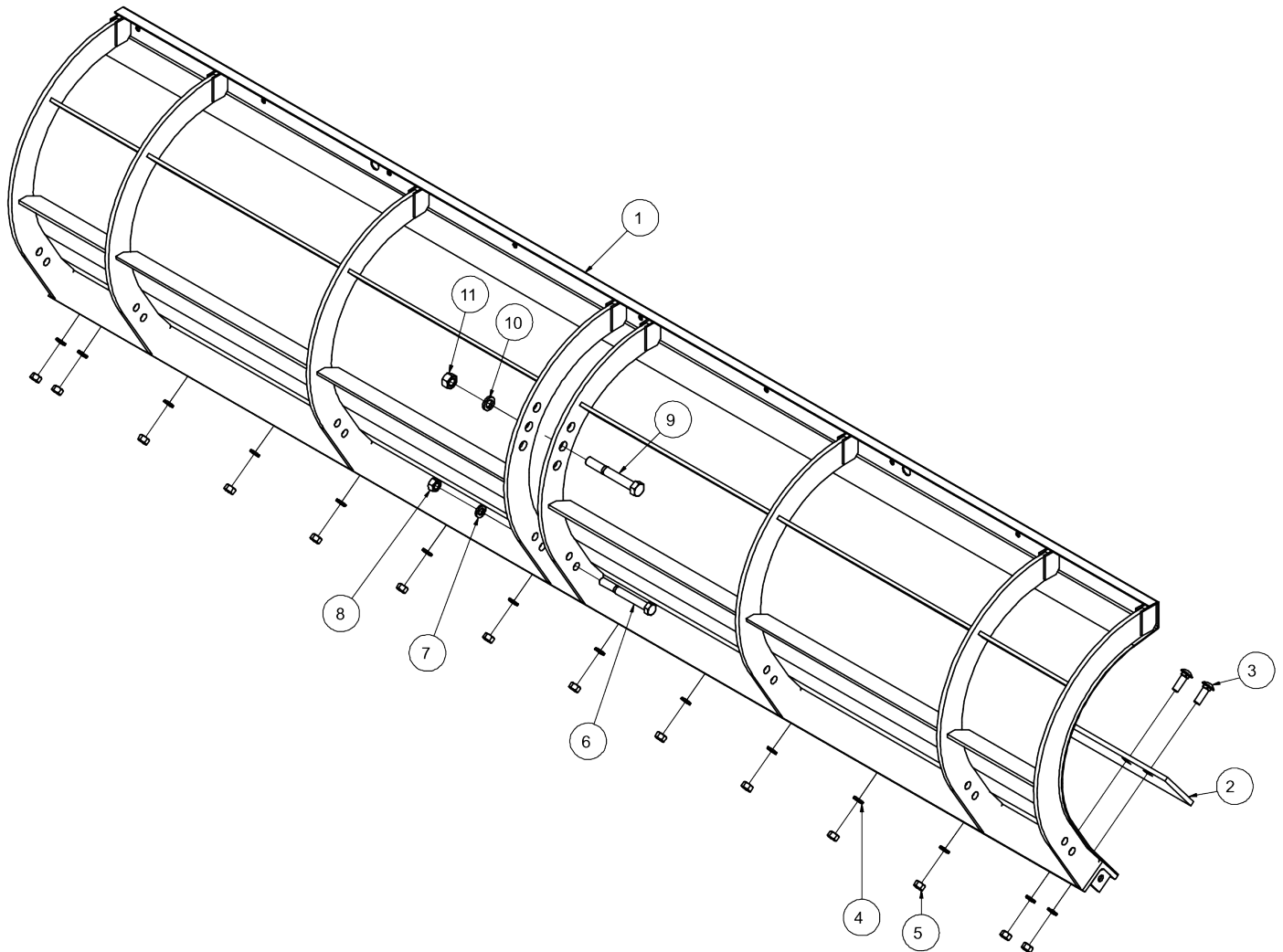
ITEM	QTY	PART NUMBER	DESCRIPTION
1	1	W62105829	WELDMENT, 11' X 42" 120M SNOW PLOW
2	1	62105287	11' SNOW PLOW CUTTING EDGE
3	13	106-6092-A1	5/8" -11 X 2" CARRIAGE BOLT
4	13	118-7-A1	5/8" Lock Washer
5	13	116-7-A1	HEX NUT, 5/8" UNC
6	1	102-727-A1	3/4" - 10 X 6-1/2" HEX HEAD BOLT
7	1	118-8-A1	LOCK WASHER, 3/4"
8	1	116-8-A1	HEX NUT, 3/4"
9	1	102-827-A1	7/8" -9 X 6-1/2" HEX HEAD BOLT
10	1	118-9	7/8" LOCK WASHER
11	1	116-9-A1	HEX NUT, 7/8"

# 62107039; 12' x 36" 120M Snow Plow



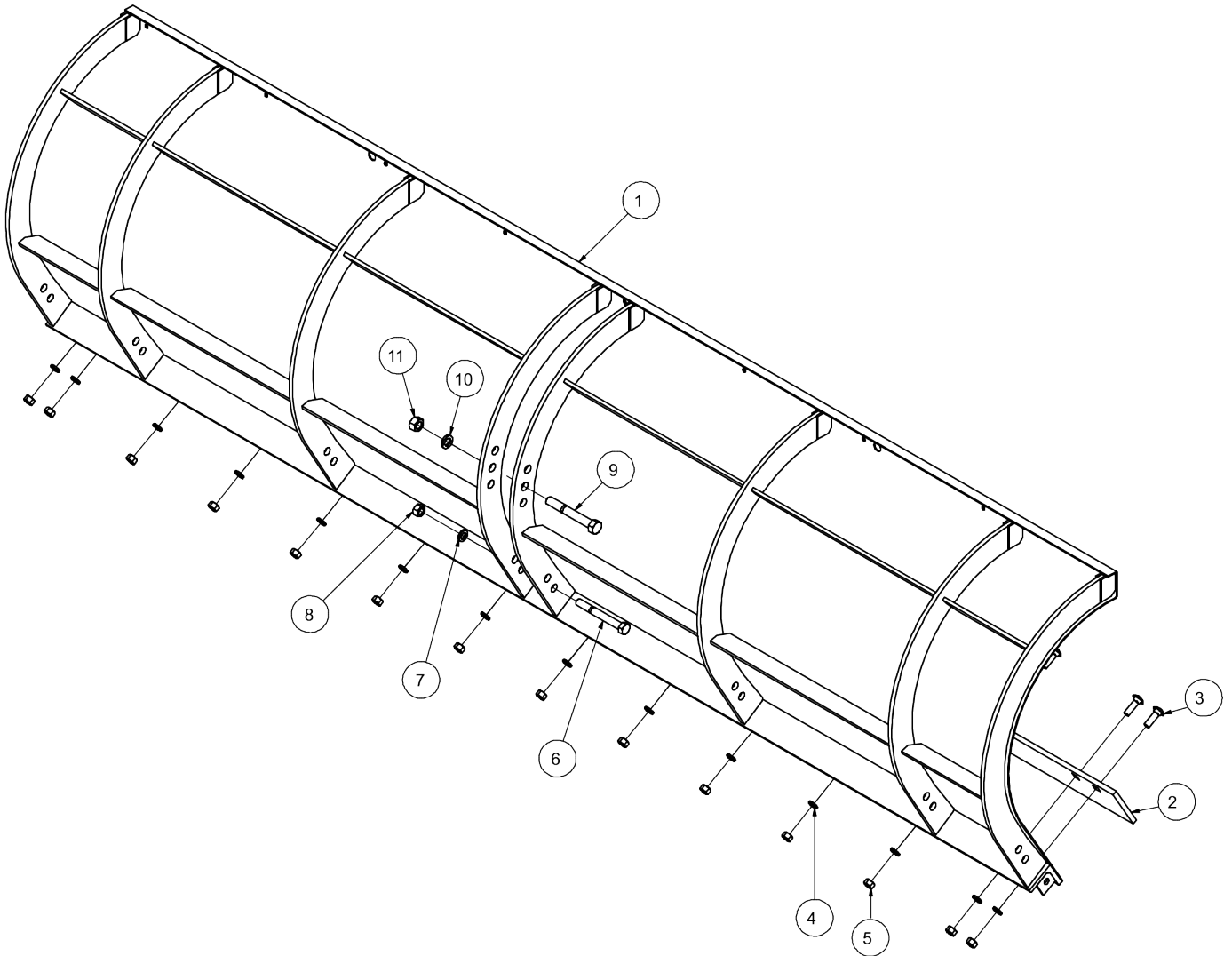
PARTS LIST			
ITEM	QTY	PART NUMBER	DESCRIPTION
1	1	62107039	WELDMENT, 12' X 36" 120M SNOW PLOW
2	1	62101005	12' SNOW PLOW CUTTING EDGE
3	14	106-6092-A1	5/8" -11 X 2" CARRIAGE BOLT
4	14	118-7-A1	5/8" Lock Washer
5	14	116-7-A1	HEX NUT, 5/8" UNC
6	1	102-727-A1	3/4" - 10 X 6-1/2" HEX HEAD BOLT
7	1	118-8-A1	LOCK WASHER, 3/4"
8	1	116-8-A1	HEX NUT, 3/4"
9	1	102-827-A1	7/8" -9 X 6-1/2" HEX HEAD BOLT
10	1	118-9	7/8" LOCK WASHER
11	1	116-9-A1	HEX NUT, 7/8"

# A80011; 12' x 30" 120M Snow Plow



PARTS LIST			
ITEM	QTY	PART NUMBER	DESCRIPTION
1	1	W80131	ASSEMBLY, 12' X 30" 120M SNOW PLOW
2	1	62101005	12' SNOW PLOW CUTTING EDGE
3	14	106-6092-A1	5/8" -11 X 2" CARRIAGE BOLT
4	14	118-7-A1	5/8" Lock Washer
5	14	116-7-A1	HEX NUT, 5/8" UNC
6	1	102-727-A1	3/4" - 10 X 6-1/2" HEX HEAD BOLT
7	1	118-8-A1	LOCK WASHER, 3/4"
8	1	116-8-A1	HEX NUT, 3/4"
9	1	102-827-A1	7/8" -9 X 6-1/2" HEX HEAD BOLT
10	1	118-9	7/8" LOCK WASHER
11	1	116-9-A1	HEX NUT, 7/8"

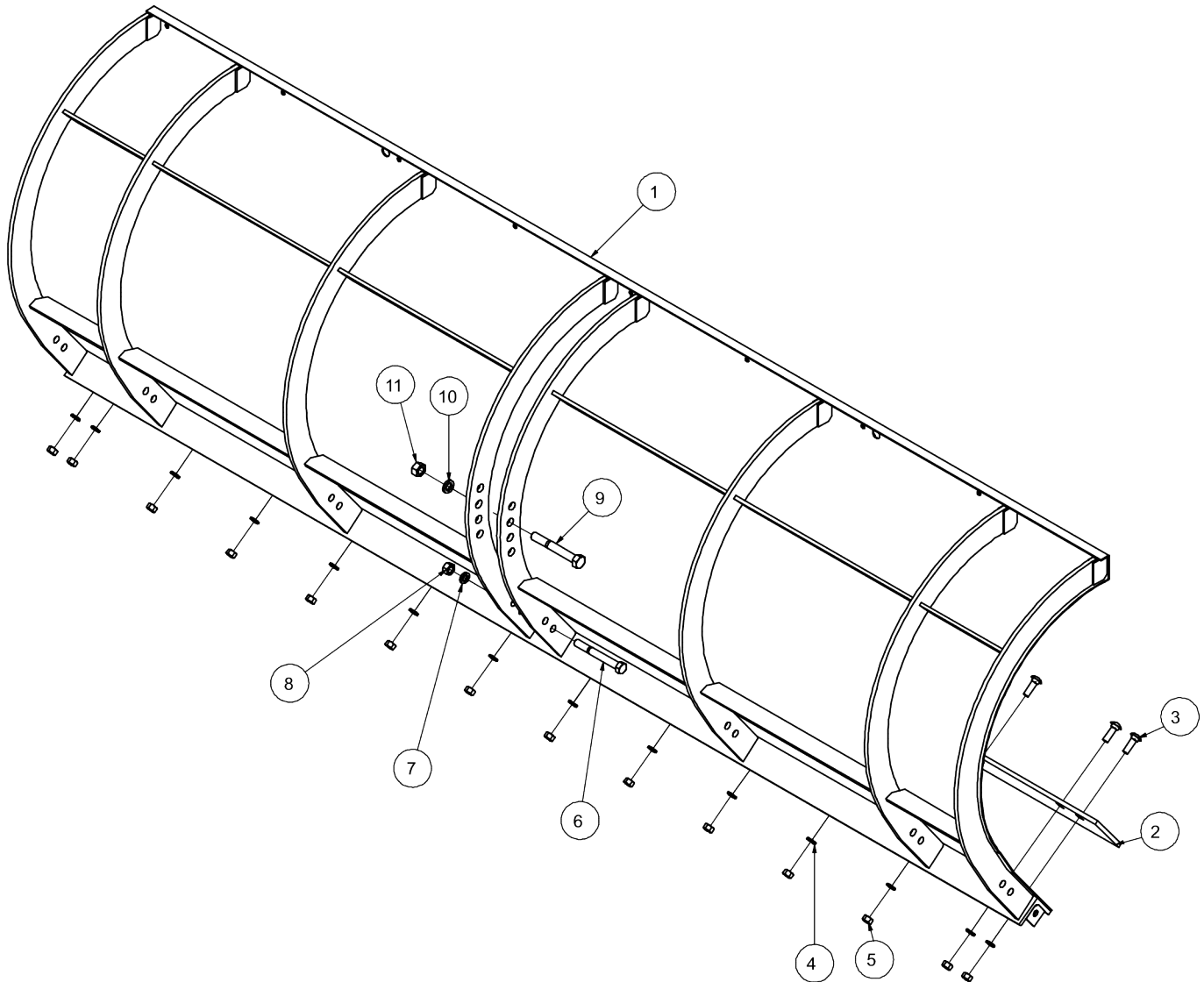
# 62107039; 12' x 36" 120M Snow Plow



PARTS LIST

ITEM	QTY	PART NUMBER	DESCRIPTION
1	1	62107039	WELDMENT, 12' X 36" 120M SNOW PLOW
2	1	62101005	12' SNOW PLOW CUTTING EDGE
3	14	106-6092-A1	5/8" -11 X 2" CARRIAGE BOLT
4	14	118-7-A1	5/8" Lock Washer
5	14	116-7-A1	HEX NUT, 5/8" UNC
6	1	102-727-A1	3/4" - 10 X 6-1/2" HEX HEAD BOLT
7	1	118-8-A1	LOCK WASHER, 3/4"
8	1	116-8-A1	HEX NUT, 3/4"
9	1	102-827-A1	7/8" -9 X 6-1/2" HEX HEAD BOLT
10	1	118-9	7/8" LOCK WASHER
11	1	116-9-A1	HEX NUT, 7/8"

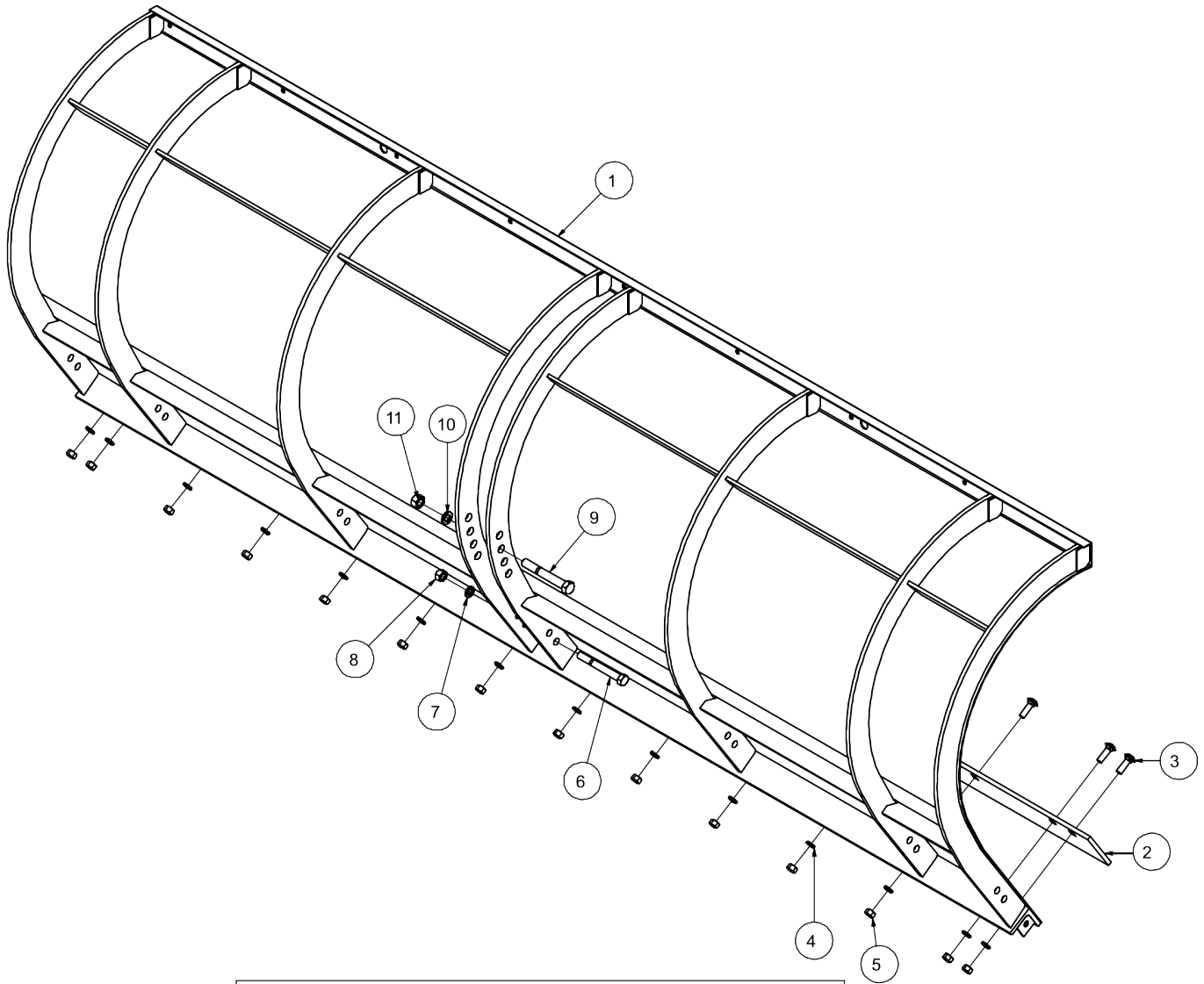
# 62105830; 12' x 42" 120M Snow Plow



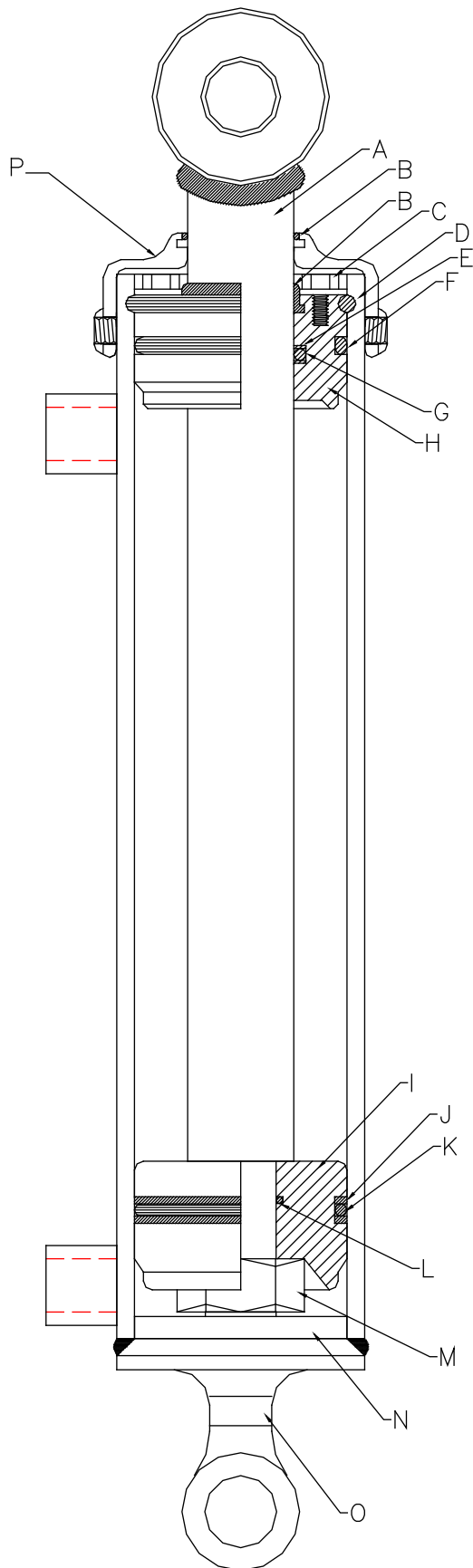
PARTS LIST			
ITEM	QTY	PART NUMBER	DESCRIPTION
1	1	W62105830	WELDMENT, 12' X 42" 120M SNOW PLOW
2	1	62101005	12' SNOW PLOW CUTTING EDGE
3	14	106-6092-A1	5/8" -11 X 2" CARRIAGE BOLT
4	14	118-7-A1	5/8" Lock Washer
5	14	116-7-A1	HEX NUT, 5/8" UNC
6	1	102-727-A1	3/4" - 10 X 6-1/2" HEX HEAD BOLT
7	1	118-8-A1	LOCK WASHER, 3/4"
8	1	116-8-A1	HEX NUT, 3/4"
9	1	102-827-A1	7/8" -9 X 6-1/2" HEX HEAD BOLT
10	1	118-9	7/8" LOCK WASHER
11	1	116-9-A1	HEX NUT, 7/8"



# A80151; 12' x 48" 120M Snow Plow



PARTS LIST			
ITEM	QTY	PART NUMBER	DESCRIPTION
1	1	W80150	WELDMENT, 12' X 48" 120M SNOW PLOW
2	1	62101005	12' SNOW PLOW CUTTING EDGE
3	14	106-6092-A1	5/8" -11 X 2" CARRIAGE BOLT
4	14	118-7-A1	5/8" Lock Washer
5	14	116-7-A1	HEX NUT, 5/8" UNC
6	1	102-727-A1	3/4" - 10 X 6-1/2" HEX HEAD BOLT
7	1	118-8-A1	LOCK WASHER, 3/4"
8	1	116-8-A1	HEX NUT, 3/4"
9	1	102-827-A1	7/8" -9 X 6-1/2" HEX HEAD BOLT
10	1	118-9	7/8" LOCK WASHER
11	1	116-9-A1	HEX NUT, 7/8"



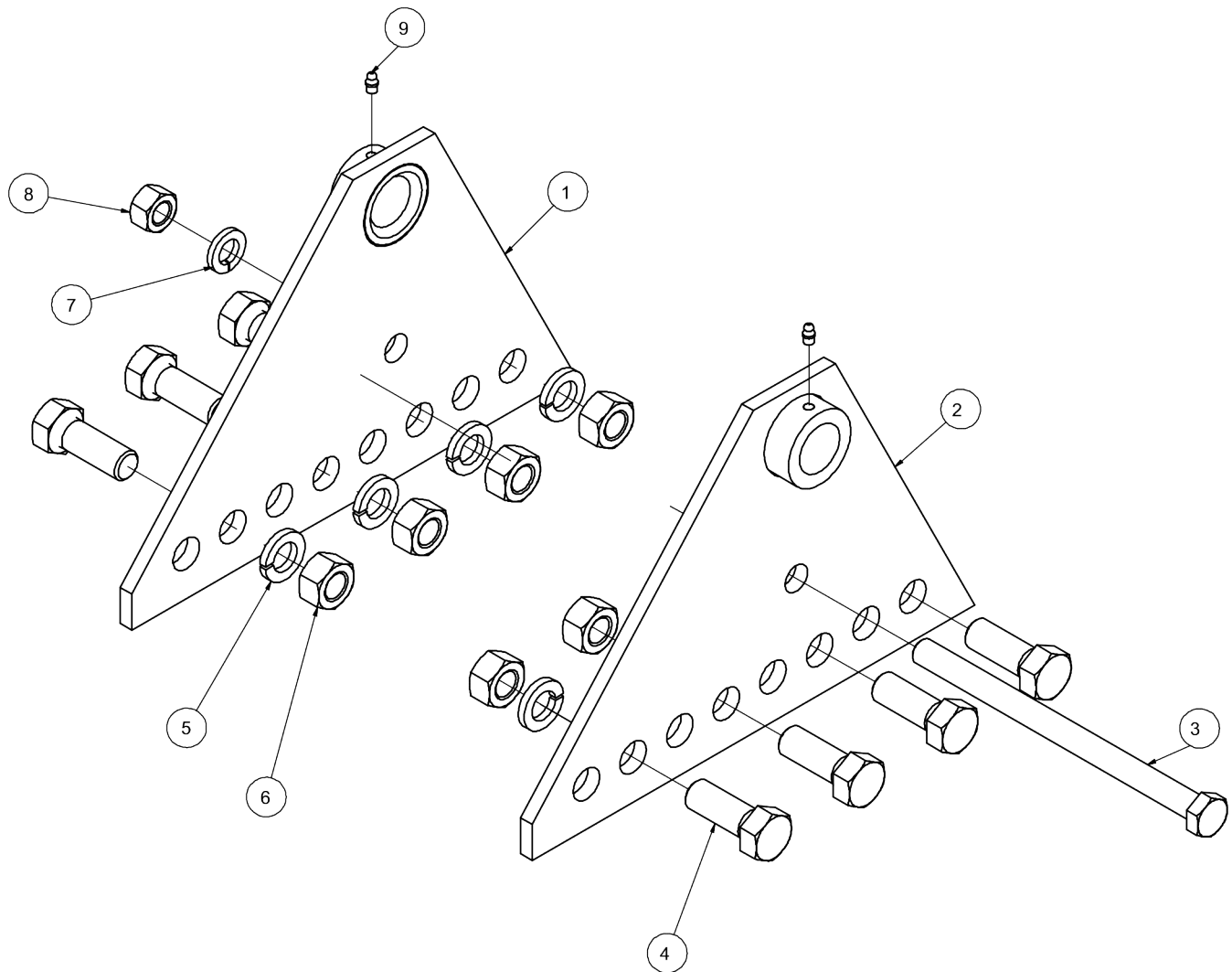
SYM.	PART NUMBER	QTY.	DESCRIPTION
A		1	Chrome Shaft
B	940-17	2	Shaft Wiper Seal
C	1/4" x 1/2", G5-1/4" FWS	2	Lock Ring Bolt, Flat Washer
D	1875-325	1	Lock Ring
E	8-325	1	Gland Inner O-Ring Back-Up
F	2-334	1	Gland Outer O-Ring
G	2-325	1	Gland Inner O-Ring
H	PC21117	1	Gland
I	PC21118	1	Piston
J	8-334	2	Piston Outer O-Ring Back-Up
K	2-334	1	Piston Outer O-Ring
L	1" O-RING	1	Piston-Shaft Inner O-Ring Seal
M	1", 14 TPI	1	Shaft Nut
N	3-1350	1	Cylinder Tube Assembly
O	PC21048	1	Atmosphere Cap
P	PC14057	1	Cylinder End Cap

## GODWIN 310DA CYLINDER

GODWIN MFG. CO., INC.  
DUNN, NORTH CAROLINA

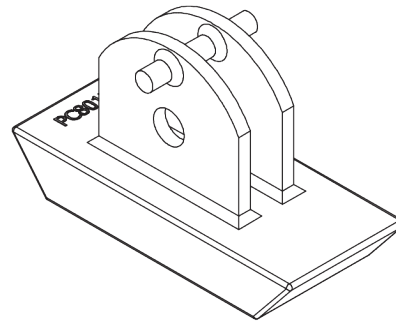
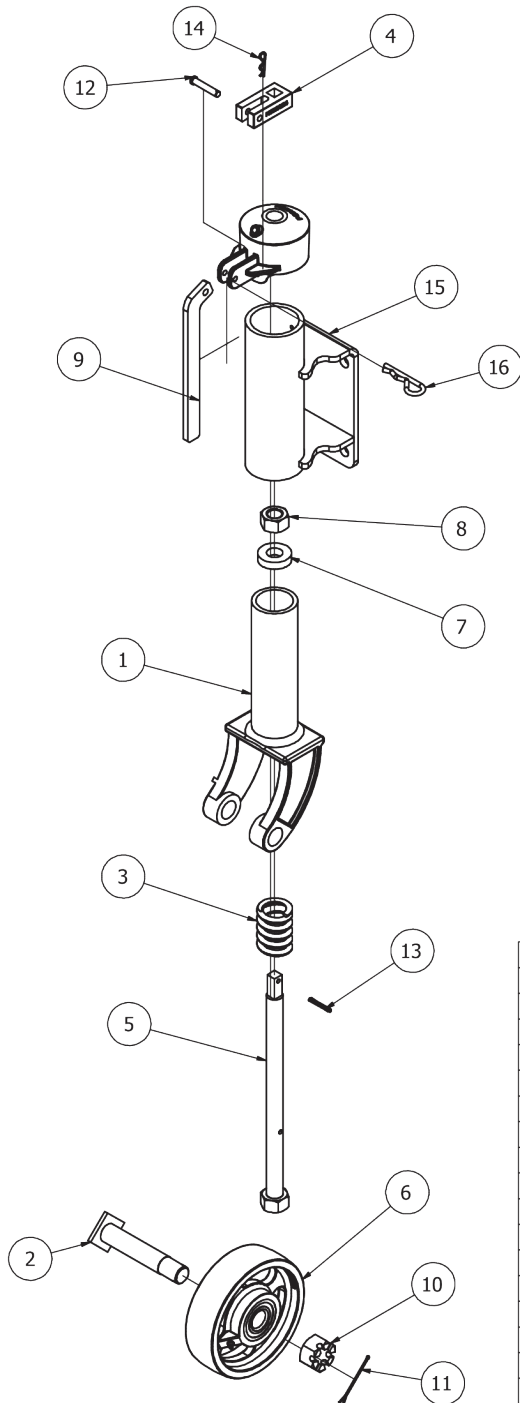
# MP50125

# 62100199; Trunion Plate Assembly

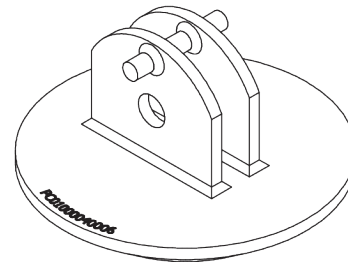


PARTS LIST			
ITEM	QTY	PART NUMBER	DESCRIPTION
1	1	62100200	TRUNION PLATE WELDMENT; RIGHT
2	1	62100201	TRUNION PLATE WELDMENT; LEFT
3	1	102-637-A1	CAP SCREW, 5/8 x 9
4	8	102-709-A1	HEX BOLT, 3/4 x 2
5	8	118-8-A1	LOCK WASHER, 3/4"
6	8	116-8-A1	HEX NUT, 3/4"
7	1	118-7-A1	5/8" Lock Washer
8	1	116-7-A1	HEX NUT, 5/8" UNC
9	2	PT7608	1/4" DRIVE IN GREASE FITTING

# 62100124; Bolt-on Caster Assembly



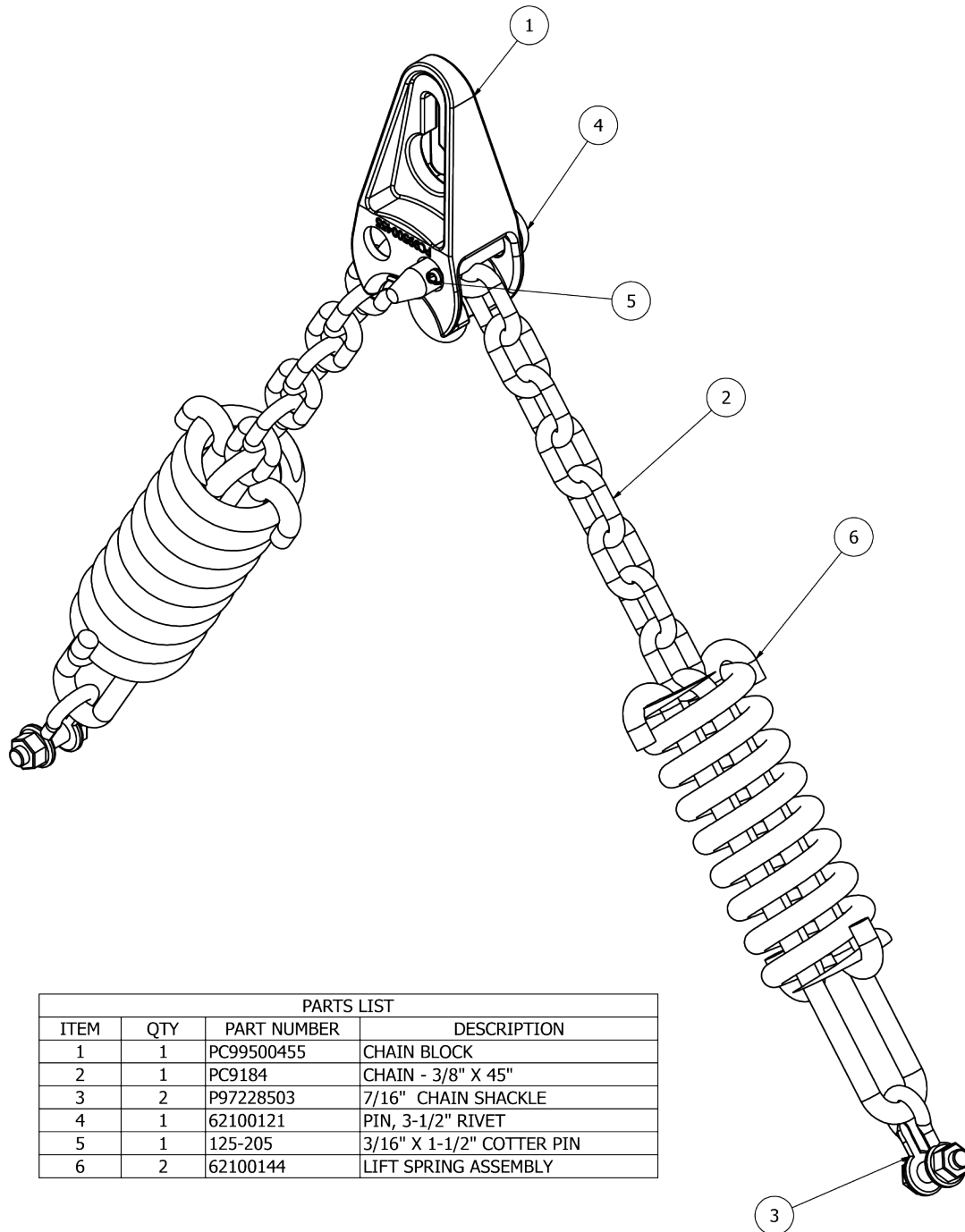
62100387 - Caster Shoe



62100387-M - Mushroom Shoe

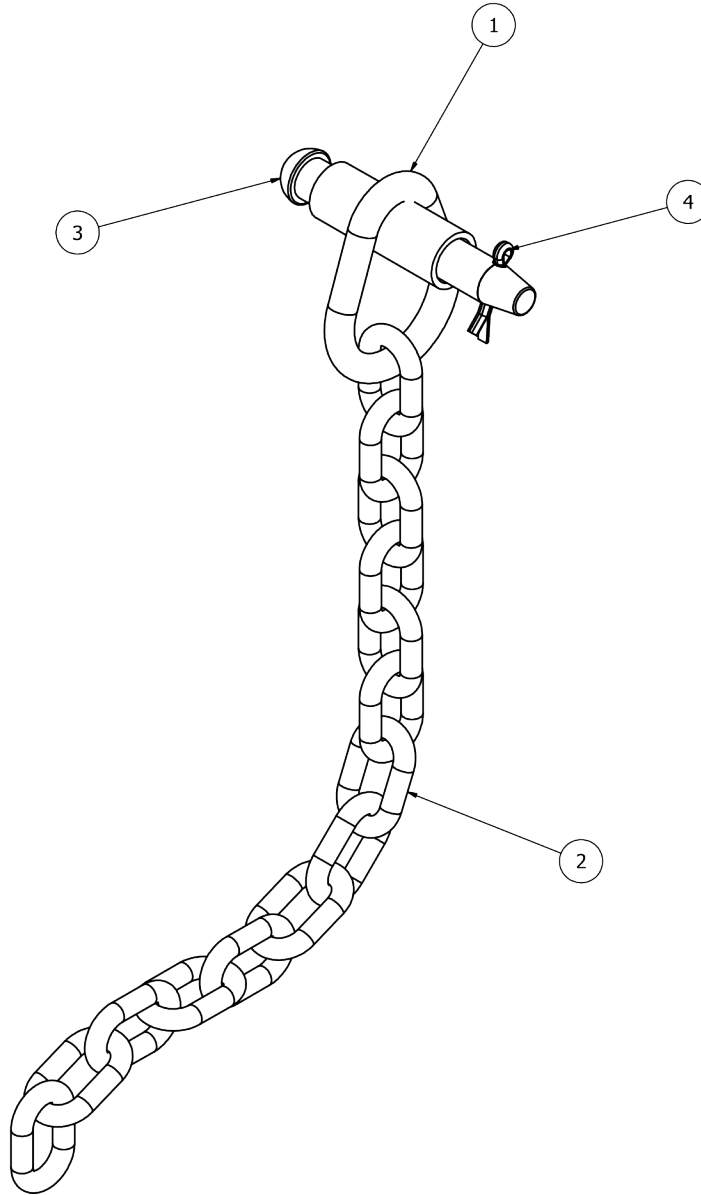
PARTS LIST			
ITEM	QTY	PART NUMBER	DESCRIPTION
1	1	PC62100157	STEM CASTER; SNOW PLOW
2	1	62100153	CASTER SHAFT ASSEMBLY
3	1	62100156	CASTER SPRING
4	1	PC99503126	ADJUSTING BOLT FORK
5	1	62100159	WELDMENT; ADJUSTING ROD
6	1	62100127	8" CASTER WHEEL ASSEMBLY
7	1	6205 ZZ BEARING	6205 ZZ, HYDRA-TARP SEALED BEARING
8	1	116-10-A1	HEX NUT, 1 INCH UNC
9	1	62100151	ADJUSTING BOLT HANDLE
10	1	95210509	1 1/8 - 12 Slotted Hex Nut
11	1	P90831083	COTTER PIN - 3/16" X 2-1/2"
12	1	P97192046	3/8" X 1-3/4" RIVET PIN
13	1	125-255	1/4" x 1/ 1/2" COTTER PIN
14	1	161-2	PIN, COTTER HAIR .0915 DIA #2
15	1	W80158	WELDMENT; BOLT-ON CASTER HOUSING
16	1	161-5	PIN, COTTER, HAIR, .243 DIA

# 62100140; Lift Chain Assembly with Springs



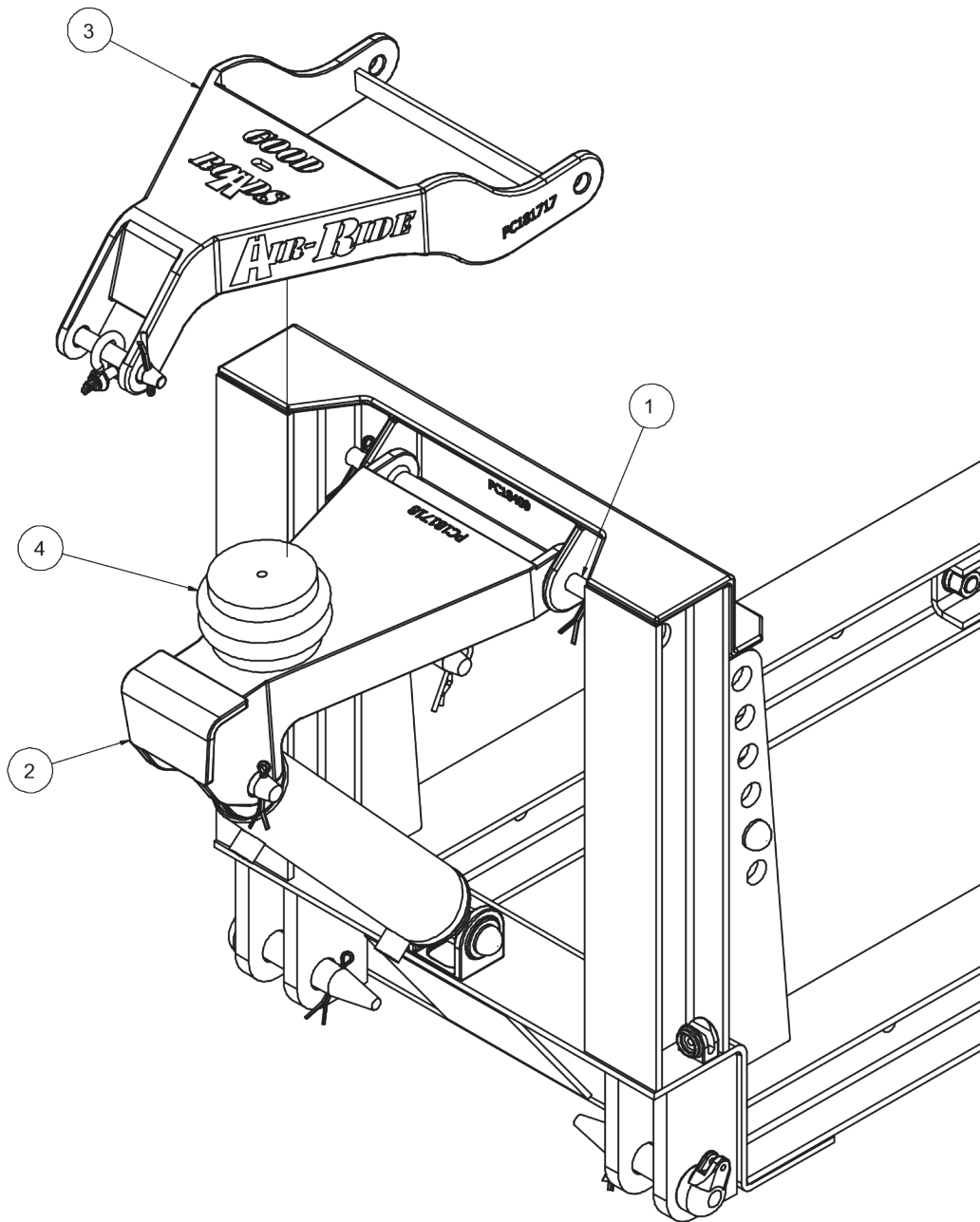
PARTS LIST			
ITEM	QTY	PART NUMBER	DESCRIPTION
1	1	PC99500455	CHAIN BLOCK
2	1	PC9184	CHAIN - 3/8" X 45"
3	2	P97228503	7/16" CHAIN SHACKLE
4	1	62100121	PIN, 3-1/2" RIVET
5	1	125-205	3/16" X 1-1/2" COTTER PIN
6	2	62100144	LIFT SPRING ASSEMBLY

# 62100241; Lift Arm Chain Assembly



PARTS LIST			
ITEM	QTY	PART NUMBER	DESCRIPTION
1	1	62100242	LIFT ARM CHAIN LOOP WELDMENT
2	1	PC9184	CHAIN - 3/8" X 18"
3	1	PC10394	3/4" LIFT LINK SNOW PLOW PUSH FRAME
4	1	125-255	1/4" x 1/ 1/2" COTTER PIN

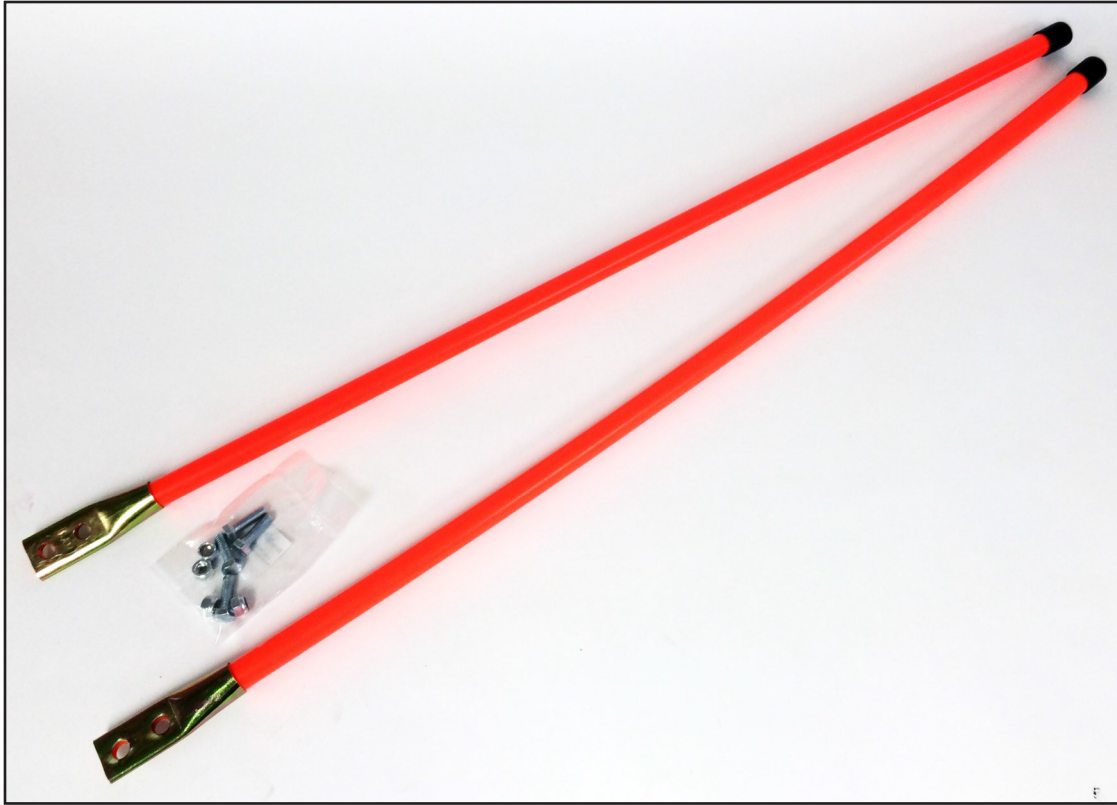
# A181808, Optional Air Chamber Assembly



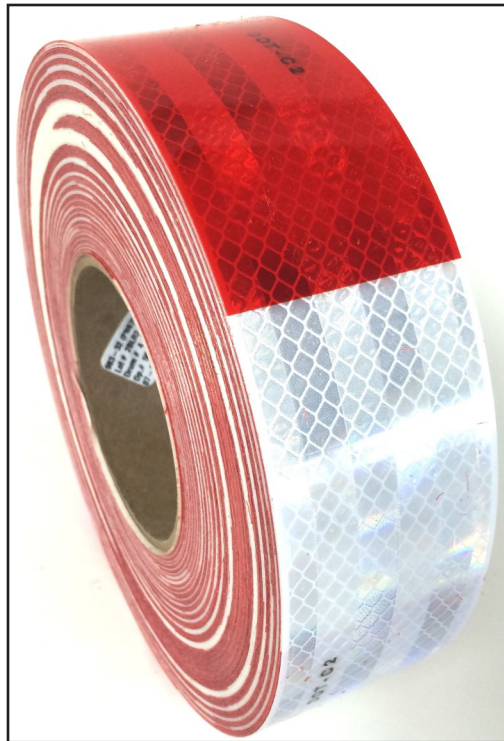
**A181808, Optional Air Chamber Assembly- Parts List**

Item	Qty.	Part No.	Description
1	1	SM181635	Pin; Air Chamber A-Frame
2	1	PC181718	Air Chamber Lower A-Frame
3	1	PC181717	Air Chamber Upper A-Frame
4	2	PBAGA-25A	Air Chamber Unit

## P99806255; End Marker



## P98101; Reflective Tape





# Warranty Statement

Godwin Manufacturing Company Inc. Dunn, NC warrants its products to each original retail purchaser of equipment to be free from defects in material and workmanship, under normal use and service, for a period of 1 year from date of original delivery to purchaser. This warranty is expressly limited to the replacement or repair (at Godwin's option) of defective material or workmanship at Godwin's factory in Dunn, NC or another place designated by it, with factory specified replacement parts. This warranty does not obligate Godwin Manufacturing to bear the cost of labor or transportation in replacing defective parts.

Godwin does not assume liability for loss of product, time or any other incidental or consequential damage. Parts claimed to be defective must accompany a completed warranty claim form.

